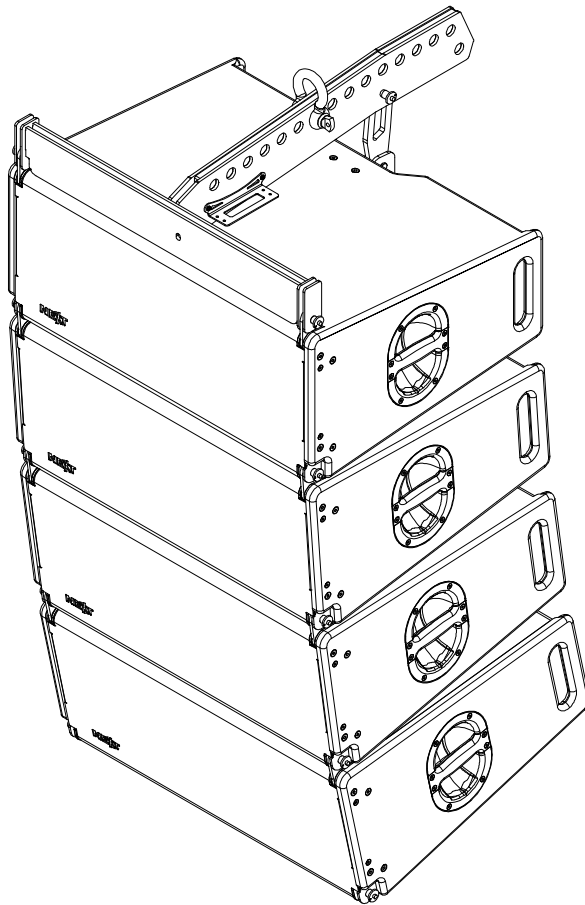




LA 210 X

User Guide



Contents

1	Safety and Warnings	4
1.1	Certificates of Conformity	4
1.2	Warranty	4
1.3	End of Life	
2	Introduction and Overview	5
2.1	Introduction	5
2.2	Unpacking	5
2.3	Overview	5
2.4	Specifications	7
3	Cabling and Amplification	8
3.1	Amplifier Layout	8
3.2	Wiring Diagram	8
3.3	LCD Screen and Menu	9
3.4	LEDs	10
3.4.1	Status LED	10
3.4.2	ETH Connector LED	10
3.5	System Configuration	11
3.6	Preset List	12
3.7	Signal Distribution	13
3.8	Power Distribution	14
4	Mechanical Configurations	15
4.1	Rigging and Suspension Safety	15
4.1.1	Fly Frame	16
4.1.2	Pull Back	19
4.1.3	Rigging From Transportation Dolly	21
4.2	Ground Stack Safety	24
4.2.1	Ground Stack on LAs518A	25
4.2.2	Dolly Ground Stack	29
4.3.1	Transportation Dolly	31
4.3.2	Transportation Dolly Storage	38
5	Accessories	40

1 Safety and Warnings



The lightning flash with arrowhead symbol within an equilateral triangle is intended to alert the user to the presence of uninsulated "dangerous voltage" within the product's enclosure that may be of sufficient magnitude to constitute a risk of electrical shock.



The exclamation mark within an equilateral triangle is intended to alert the user to the presence of important operating and maintenance instructions

- Read these instructions
- Keep these instructions
- Heed all warnings
- Follow all instructions
- Use the equipment only for its intended purpose as instructed in this manual
- Before installing, observe the applicable safety regulations for your country
- Always check if the equipment is installed securely and will not fall
- Never install close to ignition or heat sources such as radiators, ovens or any other apparatus that produce heat.
- Do not use or install the equipment near water or exposed to rain
- If the equipment is not functioning properly or has been damaged in any way, switch it off immediately
- Do not open or try to service the equipment. It may only be repaired by authorized, qualified personnel
- Clean the equipment using only a clean dry cloth
- Do not operate the unit for an extended period with the sound distorting
- Never remove the cover, because otherwise there may be a risk of electric shock. There are no user serviceable parts inside. Have repairs carried out only by qualified service personnel.



This equipment is intended for professional use. Therefore, commercial use of this equipment is subject to the respectively applicable national accident prevention rules and regulations. As a manufacturer, NEXT-proaudio is obligated to notify you formally about the existence of potential health risks. Hearing damage due to high volume and prolonged exposure: When in use, this product is capable of producing high sound-pressure levels (SPL) that can lead to irreversible hearing damage in performers, employees, and audience members.

For this reason, avoid prolonged exposure to volumes in excess of 90dB.

ATTENTION! Because of the continuous evolution of techniques and standards, NEXT-proaudio reserves the right to change the specifications of its products without warning. For the most updated version of this manual and general information about this and other products, please visit our website www.nextaudiogroup.com.

1.1 Certificates of Conformity

Certificates of conformity can be found at:

<https://www.nextaudiogroup.com/en/apoio-ao-cliente/downloads>

1.2 Warranty

Warranty details can be found at:

www.nextaudiogroup.com/en/apoio-ao-cliente/warranty

1.3 End of Life



When to be definitively put out of operation, take the product to a local recycling plant for a disposal which is not harmful to the environment.

Devices marked with this symbol must not be disposed of as household waste. Contact your retailer or local authorities for more information.

2 Introduction and Overview

2.1 Introduction

Thank you for purchasing a NEXT LA210x line array element. This manual will provide you with useful and important information about your NEXT LA210x. Please devote some time reading this manual and keep it at hand for future reference. NEXT-proaudio is concerned with your safety and well-being so please follow all instructions and heed all warnings. A better understanding of specific features of the LA210x line array will help you to operate your system to its full potential. With a continuous evolution of techniques and standards NEXT-proaudio reserves the right to change the specifications of its products without warning. For the latest information please visit: www.nextaudiogroup.com.

2.2 Unpacking

Each NEXT LA210x line array element is built in Europe (Portugal) by NEXT-proaudio, according to the highest standards and thoroughly inspected before it leaves the factory. When unpacking your LA210x please examine it carefully for any signs of transit damage and inform your dealer immediately if any is found.

NEXT-proaudio recommends that you retain the original packaging so that the system can be repackaged in future if necessary. Please note that NEXT-proaudio and its authorized distributors cannot accept any responsibility for damage to any returned product using non-approved packaging.

2.3 Overview

The LA210x is a medium format three-way, coaxial, active line array element designed to support a wide range of mid to large-sized touring applications and installations where ease of use, from transportation to installation and rigging, are critical. Built-in powerful DSP and amplification eliminates amplifier racks, long loudspeaker cables, and basic system calibration.

Custom made European transducers and a maximally optimized acoustic design provide excellent sound fidelity at very high SPL levels. The LA210x features dual 10-inch (3-inch voice coil) neodymium woofers and a groundbreaking coaxial ring radiator loaded by an exclusively developed OSWG waveguide. This acoustic design delivers exceptional phase coherence and consistent coverage down to 300Hz and the most accurate transient reproduction.

2 Introduction and Overview

Onboard, advanced, powerful 96kHz/40bit SHARC DSP engine, monitored by built-in LCD screen with a preset loading encoder, can be remotely monitored and controlled through ethernet by a PC. The full-featured PC-software automatically identifies each device and allows simultaneous control of multiple devices through grouping facility. Everything you need to fine-tune the sound of your system is right there.

The system is driven by an internal fan cooled 2000W 3-way ultra-efficient Class-D amplifier module releasing 1550W for LF section, 275W for MF section and 175W for the HF section. Integrated universal mains power supply with PFC provides consistency and optimum performance anywhere in the world.

The 3-point rigging system allows for quick and easy system setup. The LA210X elements are easily connected via two front links. A rear centre link allows the user to define relative splay angles from 0° to 10°. The system will automatically lock to the predefined angles when lifting the array.

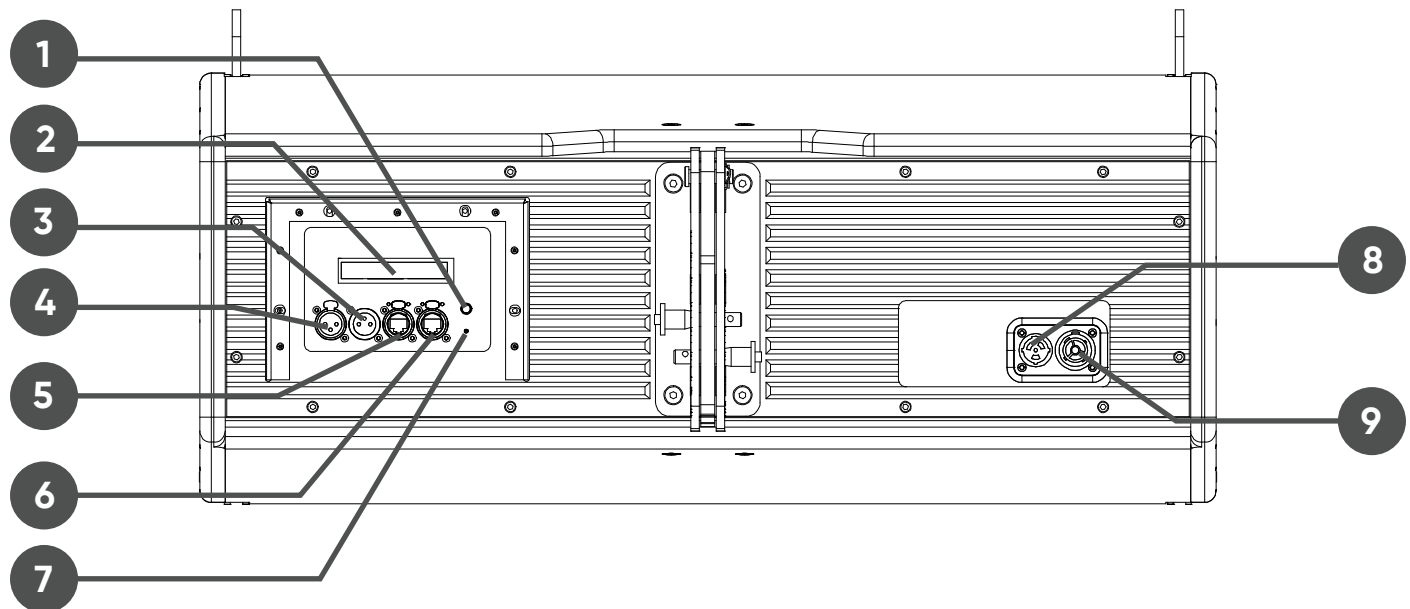
2 Introduction and Overview

2.4 Specifications

Frequency Response (-6dB)	58 Hz - 19000 Hz
Low Frequency Extension (-10dB)	54 Hz
Nominal Coverage (-6dB)	100° (300 Hz - 16 kHz) x 10°
RMS Power	2000 W (LF: 1550 W MF: 275 W HF: 175 W)
Amplifier Technology	3-Channel UMAC Class D - Full Bandwidth PWM Modulator With Ultra-Low Distortion
DSP Technology	96 kHz / 40 bit SHARC DSP
Latency	1.5 ms
DSP Adjustable Parameters	Filters: PEQ, FIR, hi/lo-shelving, all-pass, band-pass, hi/lo-pass Limiters: RMS Voltage, Peak Voltage Groups: Mute, Delay, Level, Polarity, EQ
DSP Presets	24
Delay Adjustment	500ms (172m) on Input + 400ms (138m) on Groups
Control Type	Control via LCD and Encoder on the Back Panel Control via Software using Ethernet - Max. Cable Length 70m
Maximum SPL (calculated)	RMS: 136dB Peak: 142dB (Full-Space)
Low Frequency Driver	2 x 10" / 3" VC, Neodymium, B&C Custom Speaker
High Frequency Driver	1 x 1.4" Neodymium Coaxial Ring Radiator Driver (MF: 3" VC HF: 2" VC)
Audio Signal Inputs/Outputs	Analogue AES (AESOP)
Input/Output Connectors	1 x XLR 1 x Neutrik EtherCON®
Protections	Clip Limiter Temperature Over Current DC Protection HF Protection
Operating Temperature Range	0° C - 40° C
Cooling Type	External Aluminium Heat Sink with Internal Speed Controlled Fan
Power Supply	UREC Universal Mains Switch Mode Power Supply (SMPS) with Power Factor Correction (PFC) and Standby Converter
Power Input	AC 100V - 240V 50Hz/60Hz
Mains Connector	Dual (IN/OUT) Neutrik powerCON TRUE1 TOP®
Power Consumption	275W
Recommended Subwoofer	LAs518A
Special Features	Speaker Cabinet Auto-Identification via Software
Fittings	3-Point Adjustable Rigging System (0° to 10° with 1° Step)
Handles	1 on Each Side, 2 on the Back
Grille	Black Perforated Steel
Construction	15mm Multi-Laminate Birch Plywood
Finish	Semi-Matte Black Textured Coating
Dimensions (WxHxD)	720 x 350 x 550 mm (28.3" x 13.8" x 21.7")
Net Weight	37 kg (81.6lb)
Shipping Weight	40 kg (88.2lb)

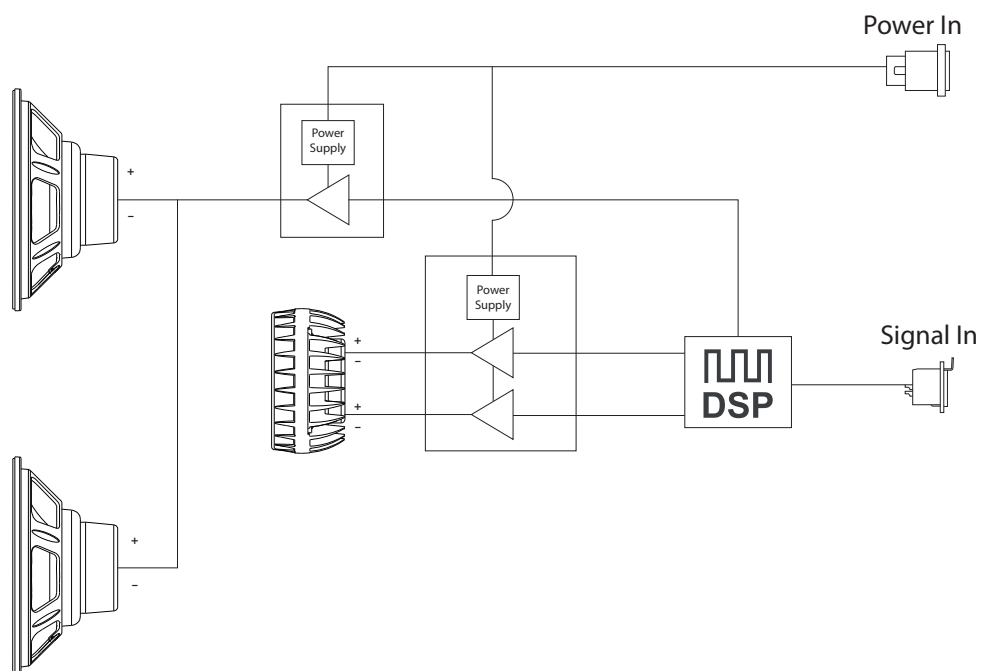
3 Cabling and Amplification

3.1 Amplifier Layout



- 1. Encoder
- 2. LCD Screen
- 3. Analogue Out (XLR)
- 4. Analogue In (XLR)
- 5. ETH/AESOP In (Neutrik® etherCON)
- 6. ETH/AESOP Out (Neutrik® etherCON)
- 7. Status LED
- 8. Power In (Neutrik® PowerCON TRUE1 TOP)
- 9. Power Out (Neutrik® PowerCON TRUE1 TOP)

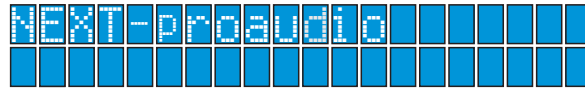
3.2 Wiring Diagram



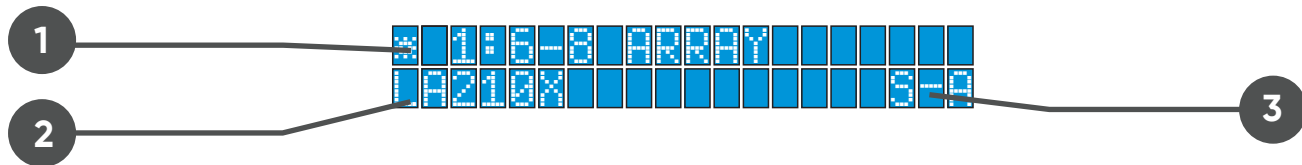
3 Cabling and Amplification

3.3 LCD Screen and Menu

At start up the load screen will display for about four seconds.



After that the main menu screen will display:



1. Displays the current active preset.
2. Displays the name of the device.
3. Displays the amplifier state. The letters displayed have the following meaning:

O: System is running normally	S: Amp is starting up
E: Error on AMP connection state	C: PC is connected
-: No connection Input state	A: Analogue input
L: AES-input locked	U: AES-input unlocked

To access the settings menu push the encoder. Rotate the encoder and push again to select the required setting. Select the setting using the encoder, to return to the main menu simply wait for four seconds. The settings menu is as follows:

0. Main Menu	6. Select input
1. Volume	7. System temp
2. Delay	8. Backlight
3. Load Preset	9. Info
4. Set IP	A. Amp state
5. Set Subnet	

All of this information can be accessed and changed via the X-NET control software. For more information and guidance on its use go to the download section of the LA210x product page:

<https://www.nextaudiogroup.com/en/product/la210x/>

3 Cabling and Amplification

3.4 LEDs

3.4.1 Status LED

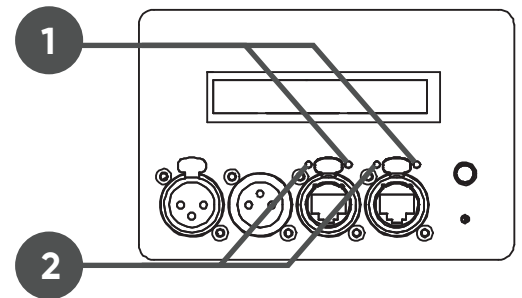
The status LED, see section 3.1, has the following meaning:

- Solid Green: analogue signal present
- Red Blinking: analogue input clip
- Solid Red: AES locked

3.4.1 ETH/AES Connector LED

The ETH/AES connectors have two LED indicators above them as shown in the diagram.

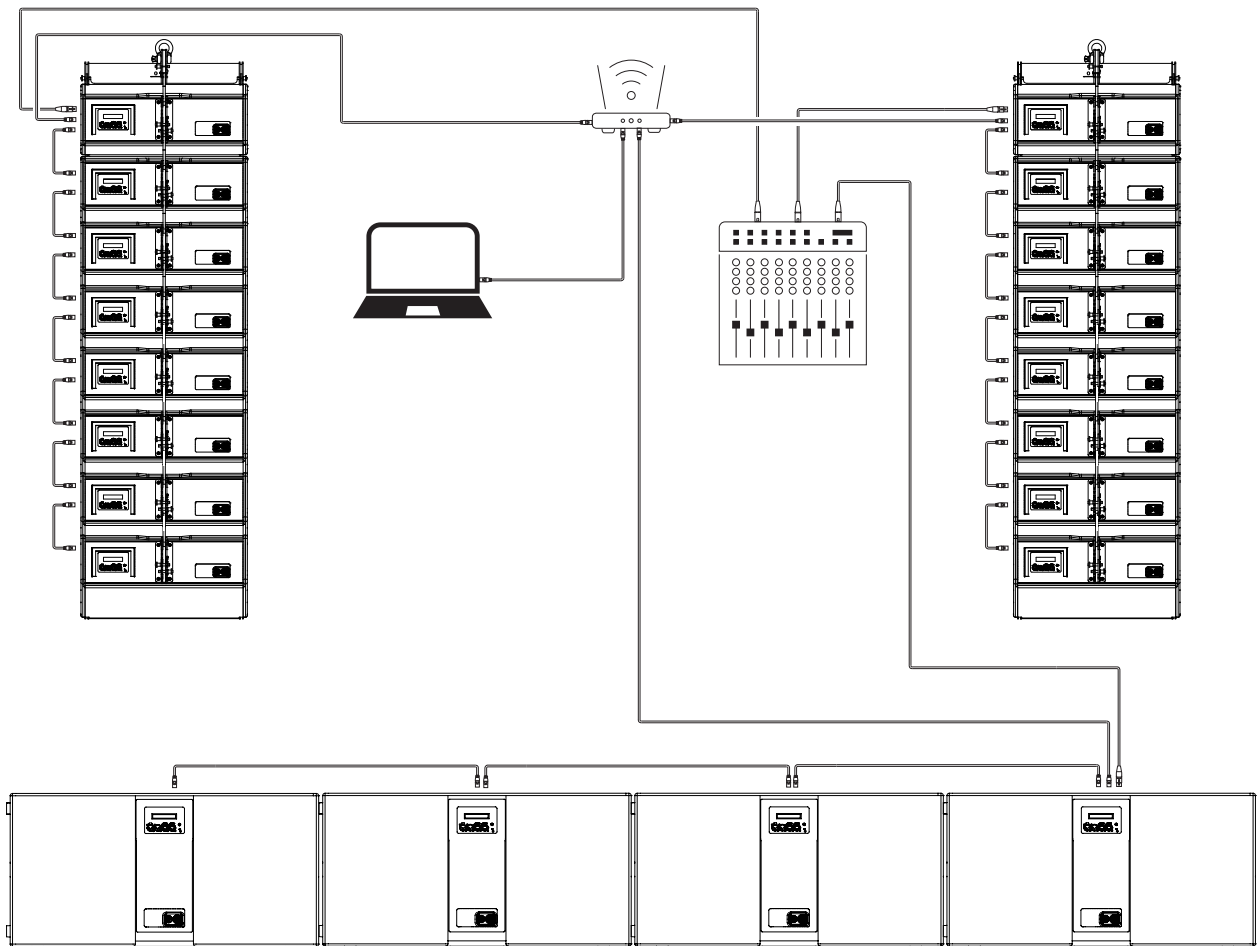
1. A standard Ethernet indicator and flashes green when the connection is active.
2. This LED indicates the AESOP connection. If the LED is inactive then AESOP is not selected. If flashing yellow then AESOP is selected but not locked. A solid yellow light indicates the AESOP is selected and locked.



3 Cabling and Amplification

3.5 System Configuration

Below is an example of a configuration of the LA210x systems with LAs518A subwoofers. For other examples of signal connection see section 3.4.



IMPORTANT INFORMATION

Ethernet cables **MUST** be connected using the correct IN/OUT connectors as shown in section 3.1. Failure to use the correct connection will result in malfunction.

Note: Here the audio link between cabinets is shown using ethernet cable for clarity. It is possible to add an XLR link between each cabinet as a redundancy. If for any reason the network link fails the analogue link with the XLR cable will automatically activate.

3 Cabling and Amplification

3.6 Preset List

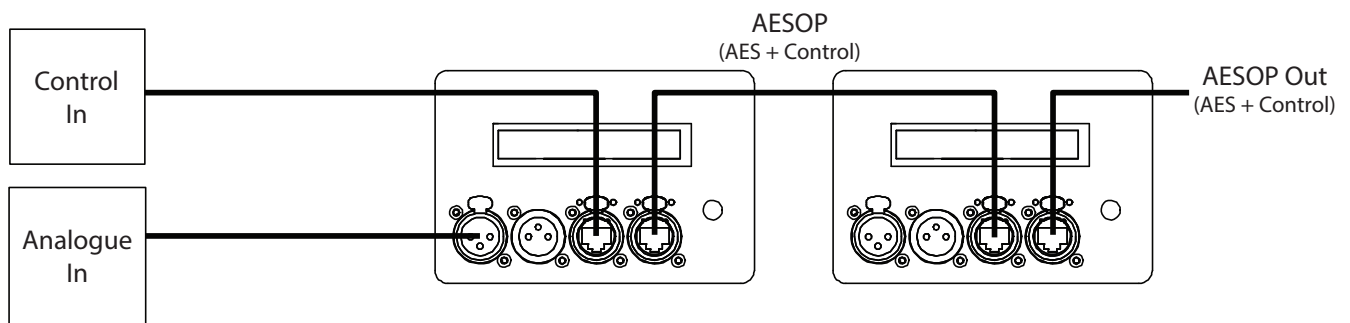
Preset Number	Display Name	Description
1	USER_PRESET_1	Location to store a user preset. Default: Full-range
2	USER_PRESET_2	Location to store a user preset. Default: Full-range
3	FULL-RANGE	Full-range preset for a single cabinet without subwoofer
4	STACK_1_HP80	One unit stacked using subwoofer - high pass 80 Hz
5	STACK_1_HP80_HFA	One unit stacked using subwoofer for close listening (high frequency attenuation) - high pass 80 Hz
6	STACK_2_HP80	Two units stacked using subwoofer - high pass 80 Hz
7	STACK_2_HP80_HFA	Two units stacked using subwoofer for close listening (high frequency attenuation) - high pass 80 Hz
8	STACK_4_HP80_LIN	Four units stacked in line configuration using subwoofer - high pass 80 Hz
9	STACK_4_HP80_CRV	Four units stacked in curved configuration using subwoofer - high pass 80 Hz
10	ARRAY_6-8	Six to eight cabinets in flown array
11	ARRAY_6-8_HF40	Six to eight cabinets in flown array with high frequency compensation for 40 m
12	ARRAY_6-8_HFA	Six to eight cabinets in flown array with high frequency attenuation
13	ARRAY_9-11	Nine to eleven cabinets in flown array
14	ARRAY_9-11_HF40	Nine to eleven cabinets in flown array with high frequency compensation for 40 m
15	ARRAY_9-11_HF80	Nine to eleven cabinets in flown array with high frequency compensation for 80 m
16	ARRAY_9-11_HFA	Nine to eleven cabinets in flown array with high frequency attenuation
17	ARRAY_12-14	Twelve to fourteen cabinets in flown array
18	ARRAY_12-14_HF40	Twelve to fourteen cabinets in flown array with high frequency compensation for 40 m
19	ARRAY_12-14_HF80	Twelve to fourteen cabinets in flown array with high frequency compensation for 80 m
20	ARRAY_12-14_HFA	Twelve to fourteen cabinets in flown array with high frequency attenuation
21	ARRAY_15-16	Fifteen to sixteen cabinets in flown array
22	ARRAY_15-16_HF40	Fifteen to sixteen cabinets in flown array with high frequency compensation for 40 m
23	ARRAY_15-16_HF80	Fifteen to sixteen cabinets in flown array with high frequency compensation for 80 m
24	ARRAY_15-16_HFA	Fifteen to sixteen cabinets in flown array with high frequency attenuation

Note: Presets from 10 to 24 have a high pass filter at 80 Hz.

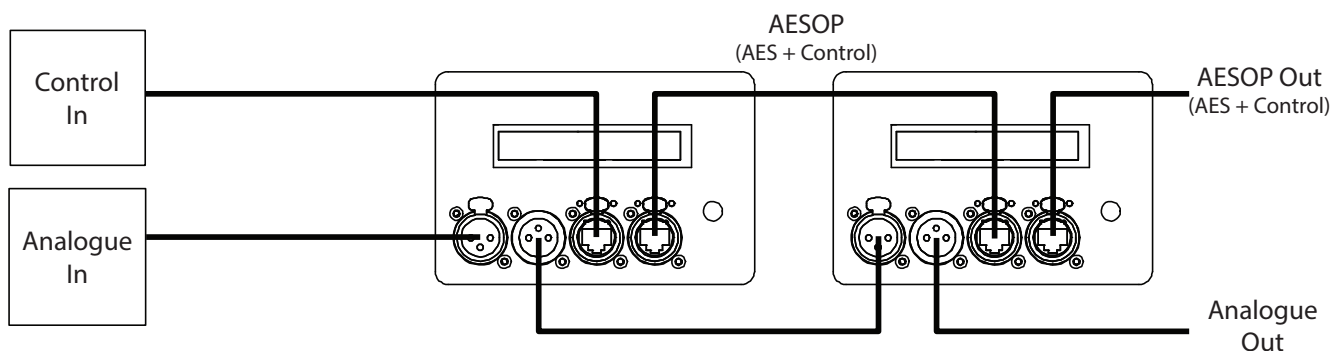
3 Cabling and Amplification

3.7 Signal Distribution

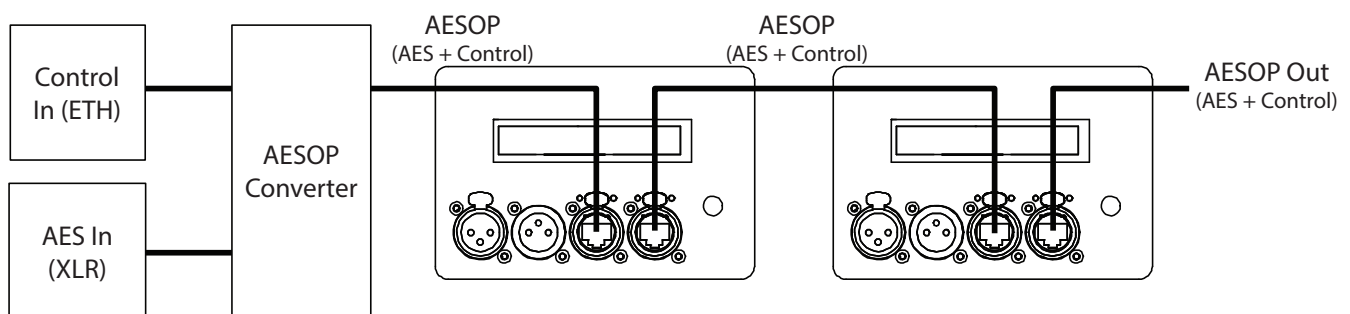
In this first example the analogue cable is only supplied to the first unit and from there is distributed by AESOP using the ethernet cable.



A redundancy can be added by linking the cabinets with XLR cable.

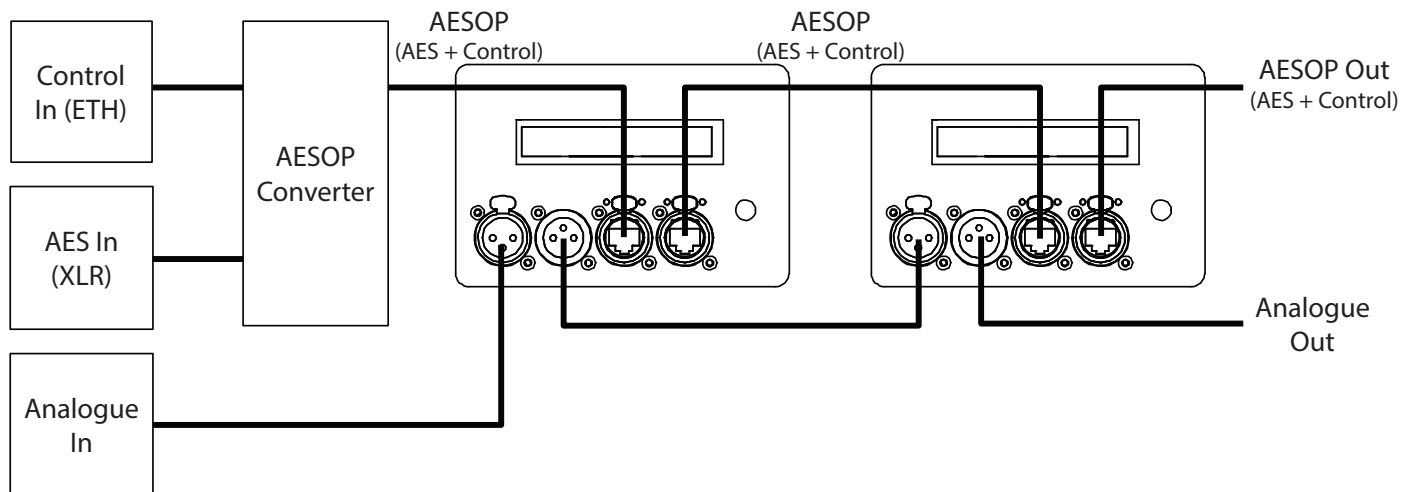


It is also possible to connect AES directly (XLR cable) from a mixer, using the NEXT AESOP Converter. The AESOP Converter will mix both AES and control signals into one single AESOP ethernet cable.



3 Cabling and Amplification

In this example if the AESOP signal is interrupted for any reason, the DSP will switch to the analogue signal instantly (fallback option must be enabled on X-NET software). This method is highly recommended when redundancy is needed.



Maximum Ethernet cable distance between devices is 70 m. NEXT-proaudio advises using CAT6 S/FTP cable

3.7 Power Distribution

When linking units for power distribution the following is the maximum units that can be linked:

Voltage	LA210x	LAs518A
230 V	Max 6 units	Max 2 units
110 V	Max 4 units	Max 1 unit

4 Mechanical Configurations

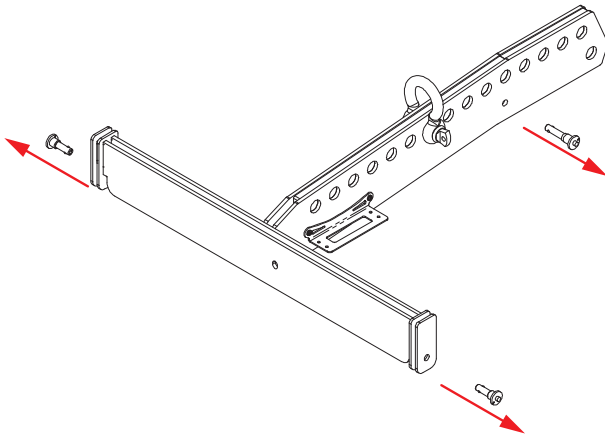
4.1 Rigging and Suspension Safety



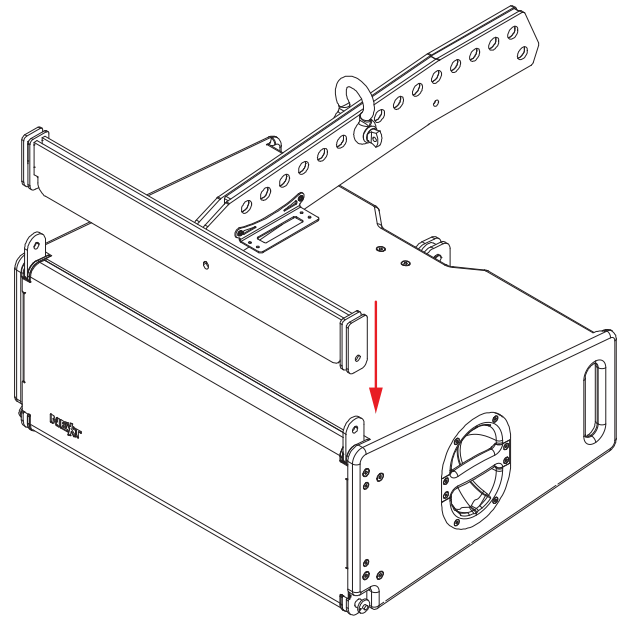
- Before rigging or suspending NEXT LA210x systems, inspect all components and all hardware for any signs of damage or missing parts.
- If you find any damaged, corroded or deformed parts, do not use them, replace them immediately.
- Do not use hardware that isn't load rated or that its rating is not enough to handle the system's weight with a good safety factor (5 minimum). Don't forget that the hardware won't just hold the systems weight. It must be sturdy enough to handle dynamic forces, like winds for example, without any part deformation. NEXT-proaudio advises customers to contact a licensed, professional engineer regarding equipment installation.
- NEXT LA210x system installation should only be carried out by qualified personnel.
- Always use adequate protective clothing and equipment to prevent possible injuries.
- Only install the systems on solid, levelled ground and isolate the surrounding area during installation and operation, to prevent general public presence near the systems.
- Be sure to understand and follow all local and national regulations regarding equipment installation.
- Failure to comply with these instructions may result on injury or death.

4 Mechanical Configurations

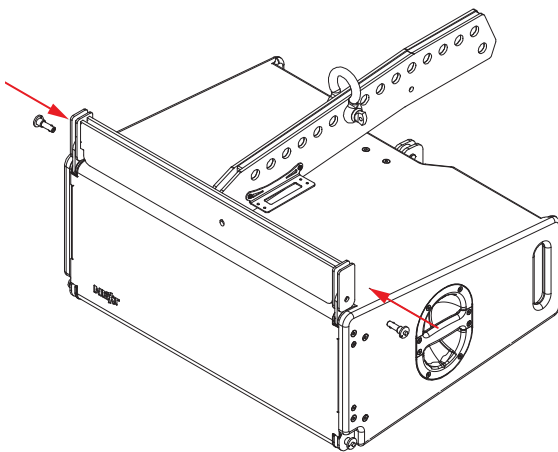
4.1.1 Fly Frame



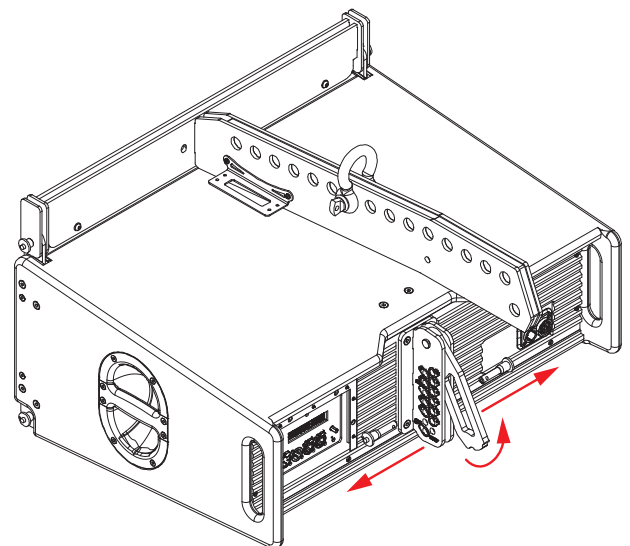
Step 1:
Remove all rigging pins from the fly frame.



Step 2:
Lower the fly frame into position aligning the front holes of the fly frame with the rigging elements on the LA210x.

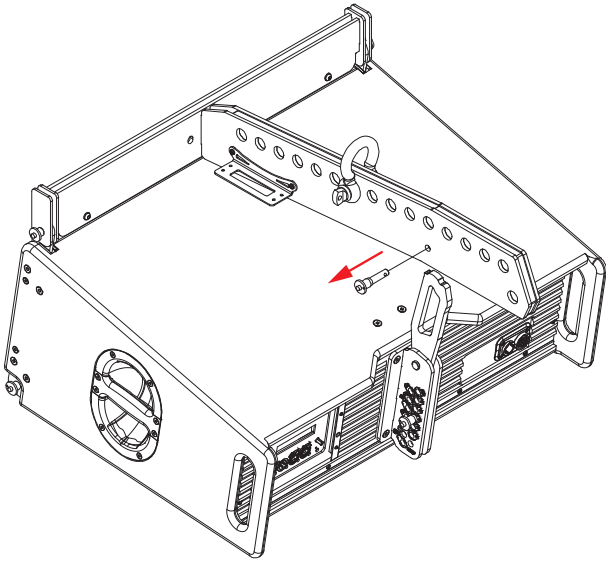


Step 3:
Insert both pins at the front of the fly frame.

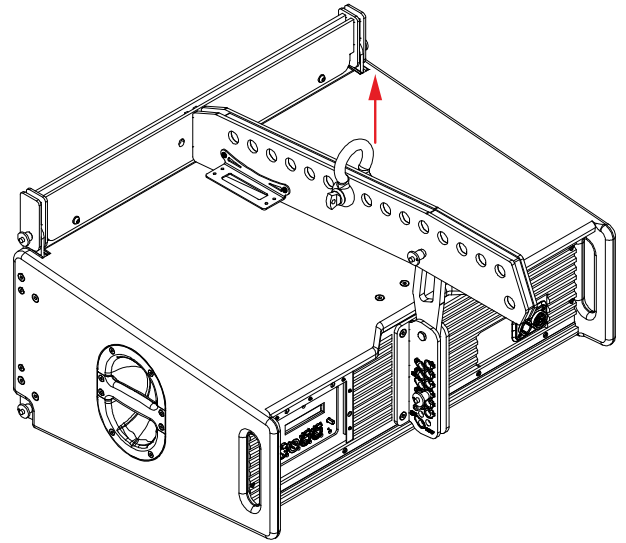


Step 4:
Remove both pins from the rear rigging assembly to allow to rear link to swing free.

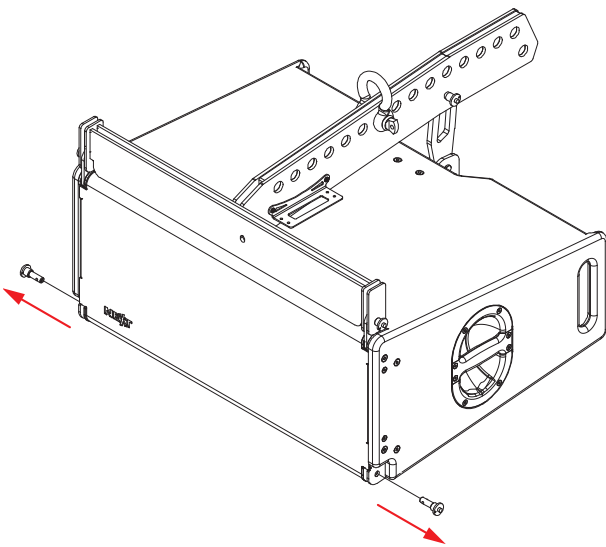
4 Mechanical Configurations



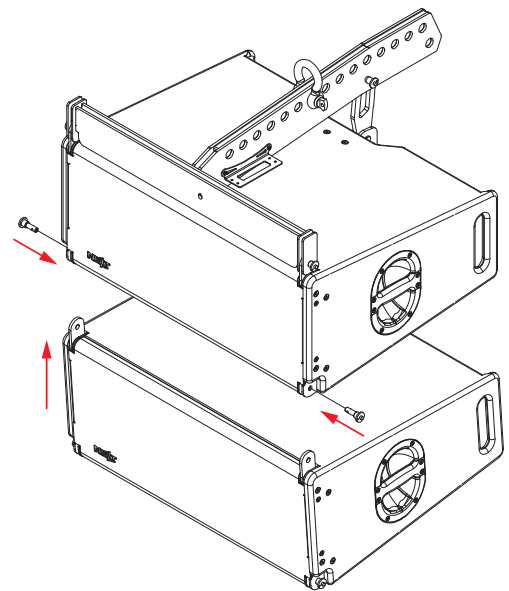
Step 5:
Rotate the rear link into position and fix it into place with the rear pin on the fly frame.



Step 6:
With the rigging in place it is now possible to raise the assembly from the shackle.

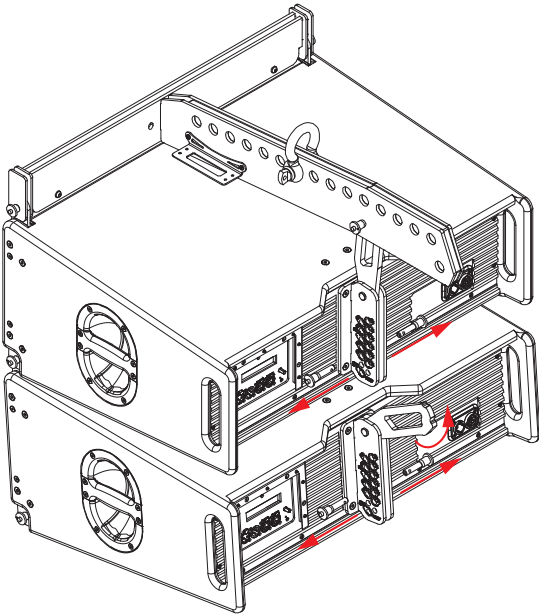


Step 7:
Remove the rigging pins from the lower end of the rigging assembly.

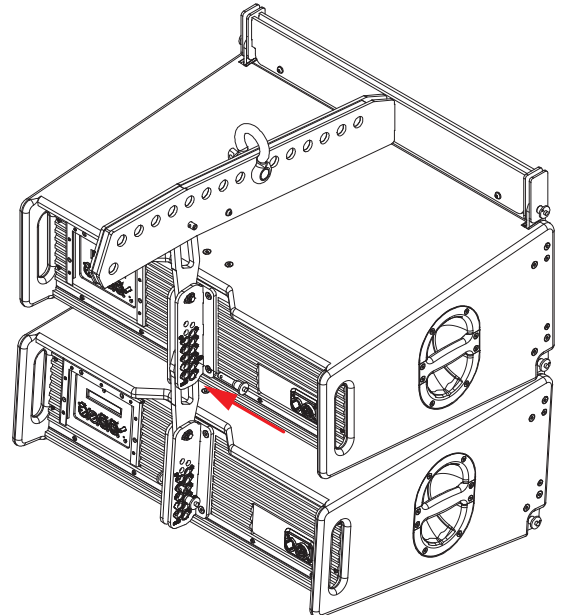


Step 8:
Move the next cabinet into position and fix it at the front of the rigging assembly with the rigging pins.

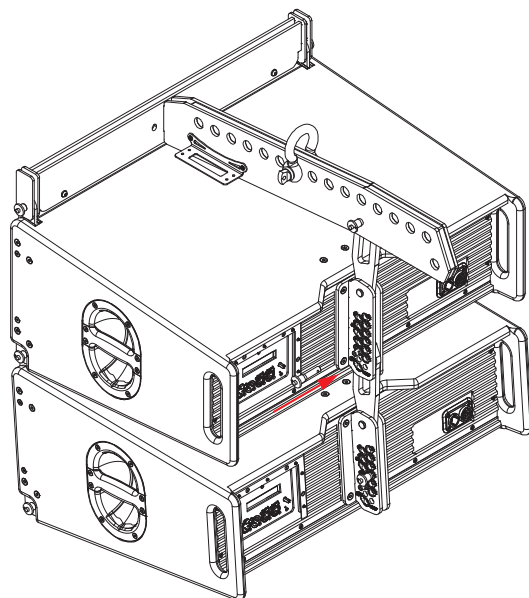
4 Mechanical Configurations



Step 9:
Remove both pins from the rear rigging assembly on both cabinets to release the rear link.



Step 10:
Rotate the rear link into position and insert the pins on the right hand side.



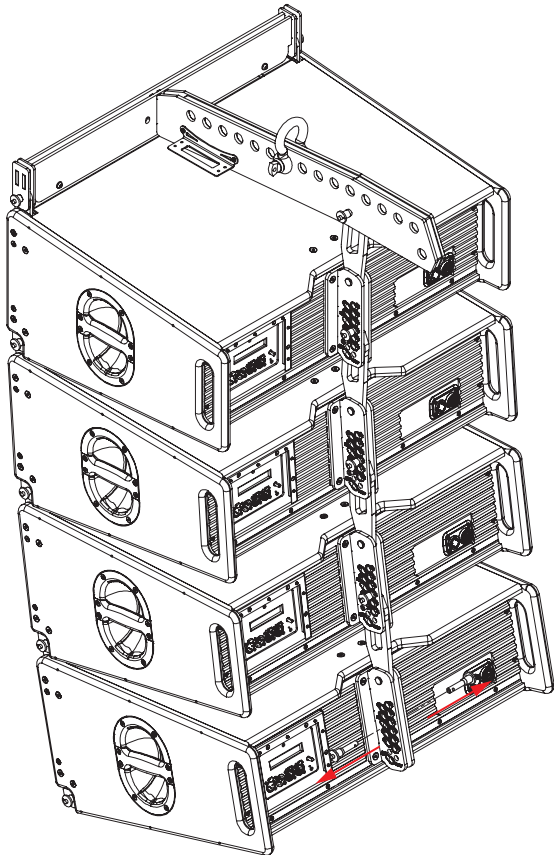
Step 11:
Insert the left hand pin in the same hole number as the right hand side to lock the cabinet in position.
Repeat steps 7 to 11 for additional cabinets as required.



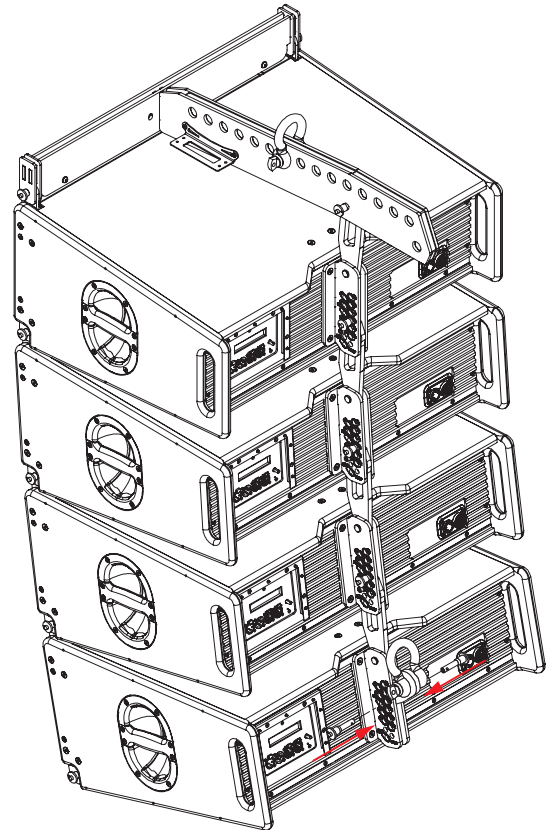
Note: The hole numbers determine the splay angle of the assembly. To determine what angle the cabinets should be configured use EASE Focus.

4 Mechanical Configurations

4.1.2 Pull Back

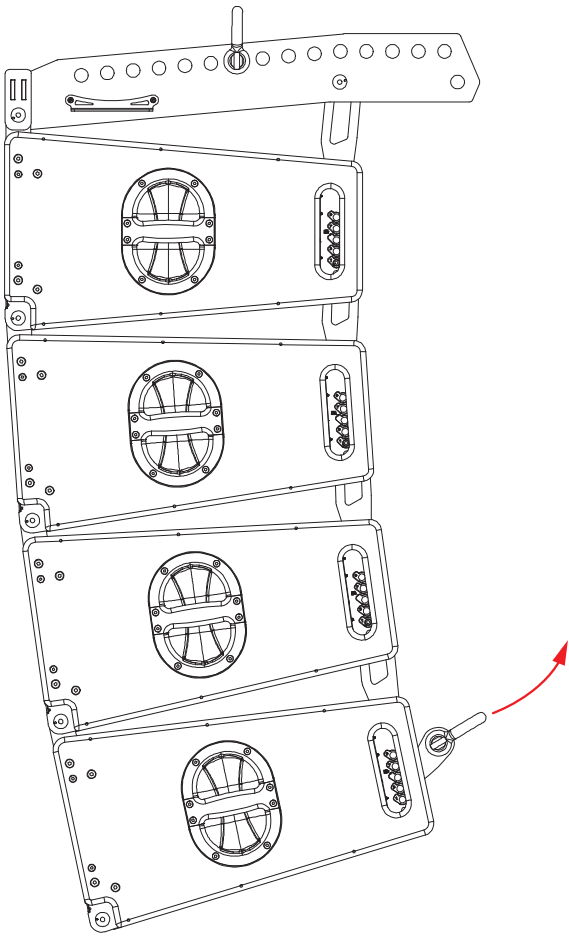


Step 1:
Remove both pins from the bottom cabinet once the array has been assembled.



Step 2:
Move the pull back accessory into position aligned with holes marked pull back (number 5 on the left hand side and number 9 on the right hand side) and fix into position using the pins on the rigging assembly.

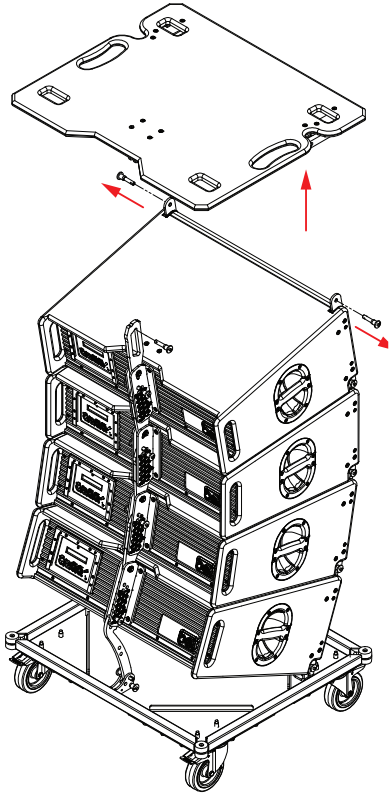
4 Mechanical Configurations



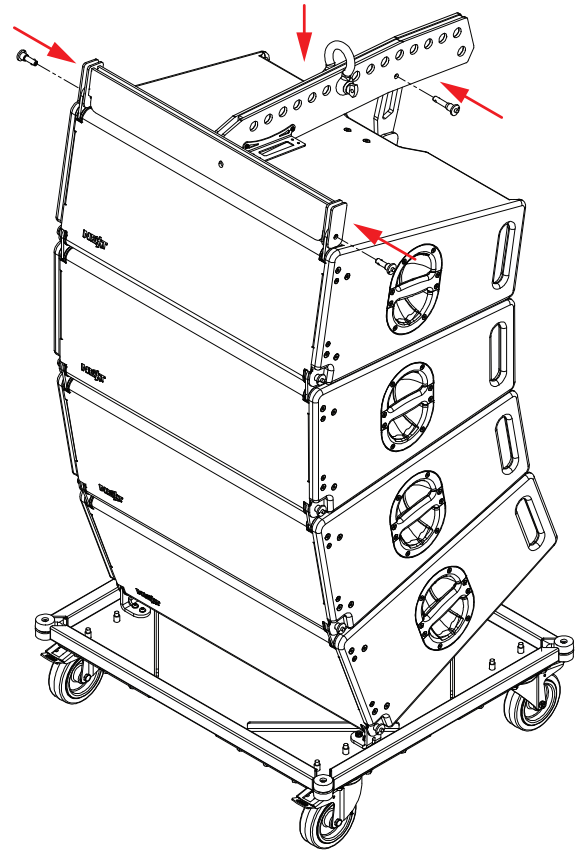
Step 3:
Fix the hoist to the shackle on pull back
assembly and raise into position.

4 Mechanical Configurations

4.1.3 Rigging From Transportation Dolly

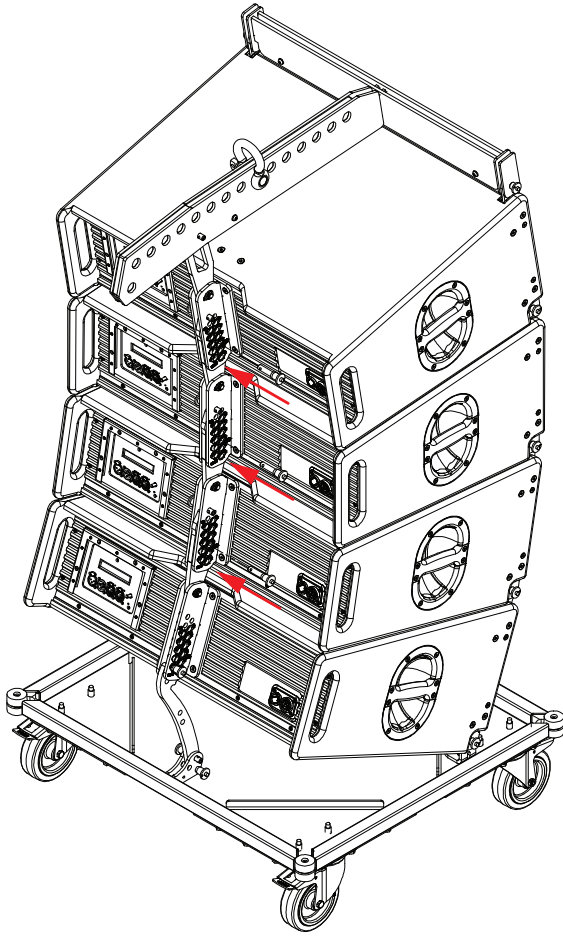


Step 1:
Remove the pins for the front and rear of the lid of the dolly assembly.

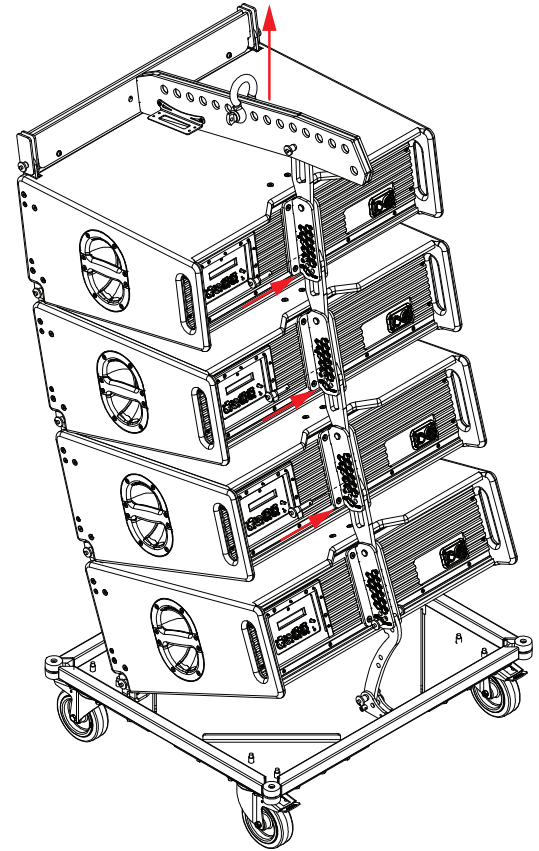


Step 2:
Lower the fly frame assembly into position and attach with the pins as shown.

4 Mechanical Configurations

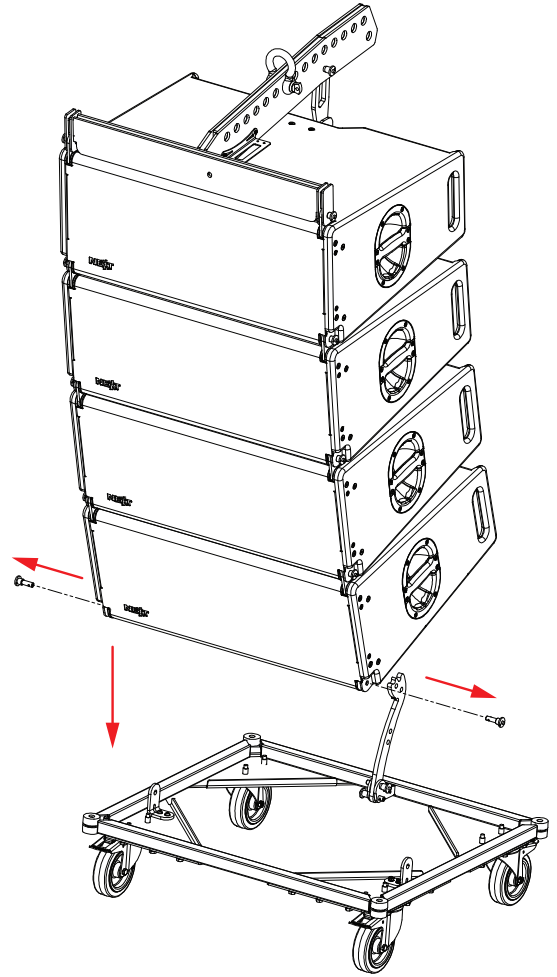
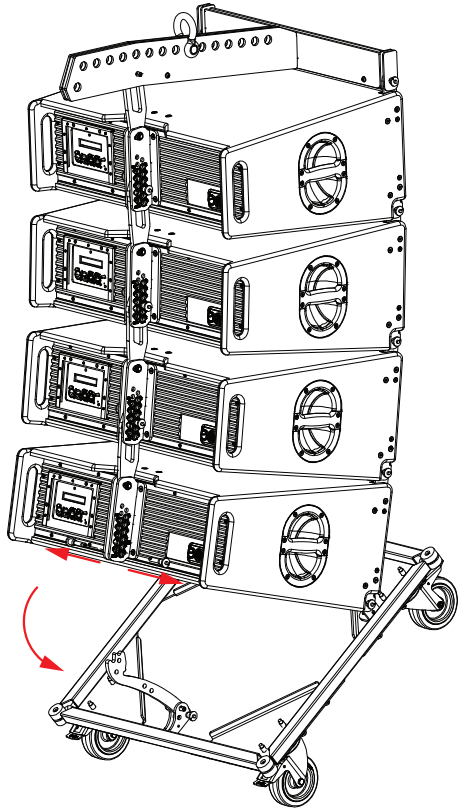


Step 3:
For the top three cabinet remove the right hand pins and insert into the required angle. Once they are in place raise the fly frame to engage the pins.



Step 4:
Move the left hand pins into the required hole to lock the rigging assembly in place.

4 Mechanical Configurations



Step 5:
Remove the pins from the rear rigging assembly of the bottom cabinet.



This will allow the dolly to swing free, take care to hold the dolly to prevent injury.

Step 6:
Remove the front two pins from the bottom cabinet and the dolly is free to be removed. The cabinets can now be raised or additional cabinets added as required.

4 Mechanical Configurations

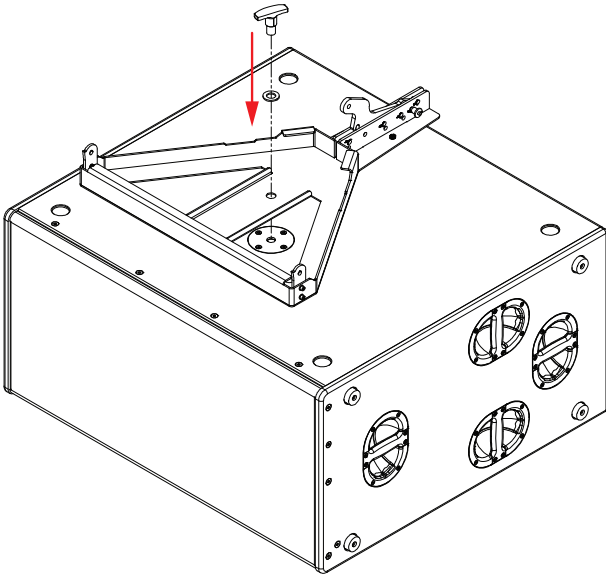
4.2 Ground Stack Safety



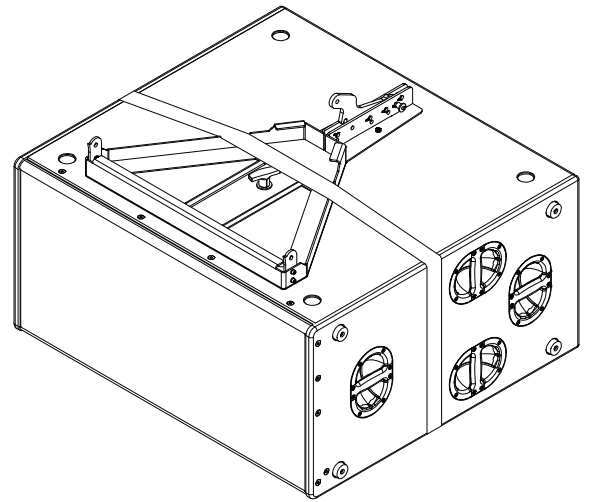
- Always ensure that the floor or structure where the stack will be placed is even and can withstand the weight of the complete stack.
- Do not stack speakers too high, especially outdoors where winds could topple the stack.
- Place cables in a way that they do not present a trip hazard.
- Do not place any objects on top of the stack, they can fall accidentally and cause injuries.
- Do not attempt to move the enclosures while connected.
- Try not to operate the LA210x under heavy rain or moisture, it is weather-resistant but not completely "weather-proof".
- Do not expose the systems to extreme heat or cold conditions to prevent component damage.

4 Mechanical Configurations

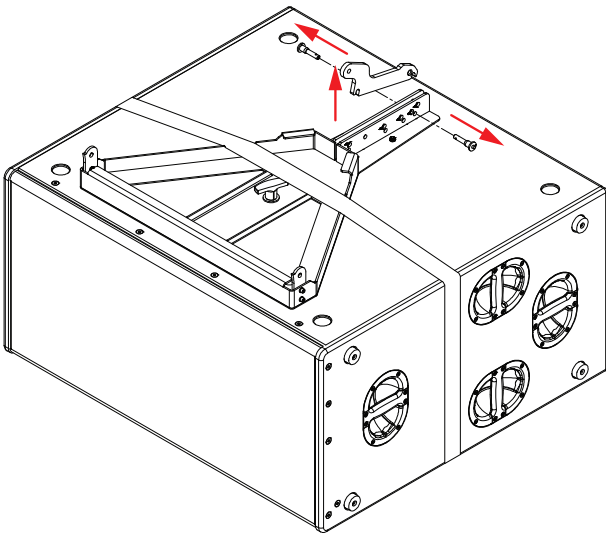
4.2.1 Ground Stack on LAs518A



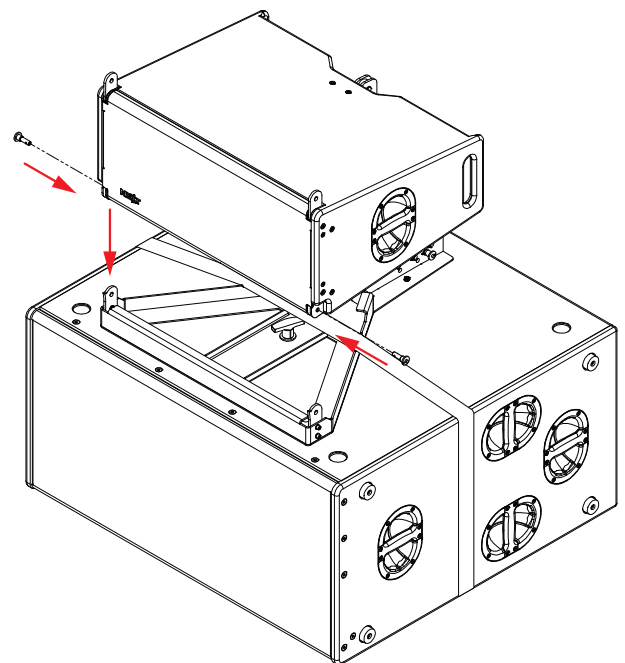
Step 1:
Attach the ground stack bracket to the LAs518A using the M20 fastener provided.



Step 2:
Attach a safety strap.

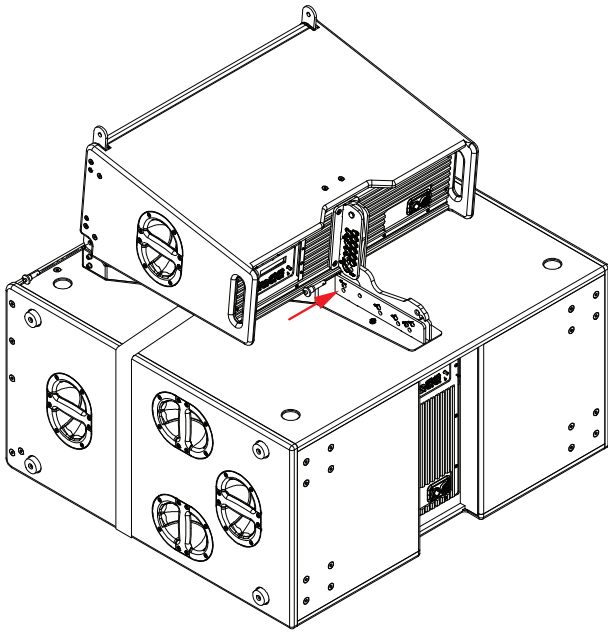


Step 3:
Remove both pins from the rear of the bracket assembly and remove the link from the bracket.

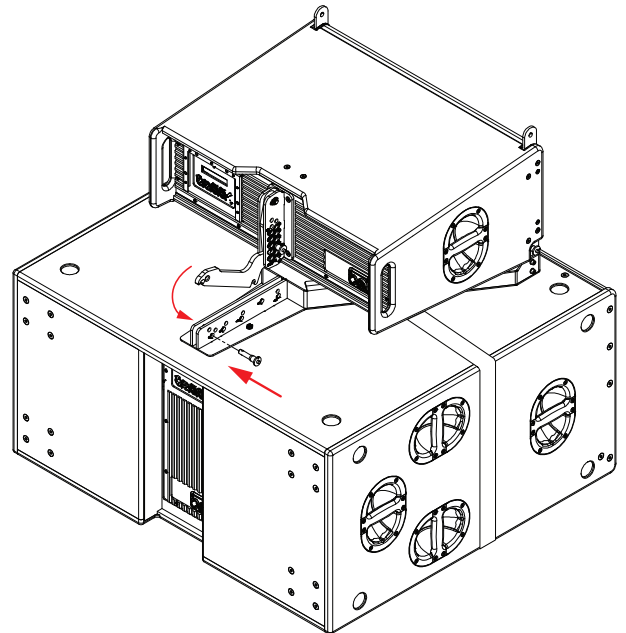


Step 4:
Remove both pins from the front of the LA210x. Lower the cabinet into position and fix into place with the front pins.

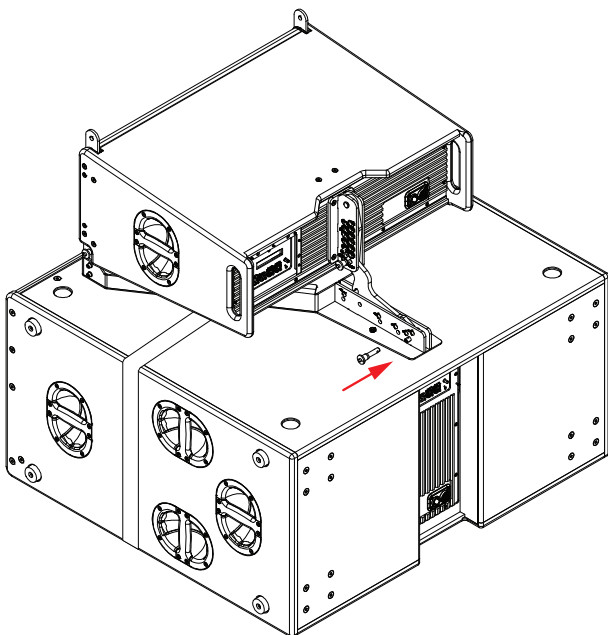
4 Mechanical Configurations



Step 5:
Allow the LA210x to rest on the bracket and fix the link for the bracket (removed in step 2) onto the rear rigging assembly on the speaker using the hole marked ground stack pin.

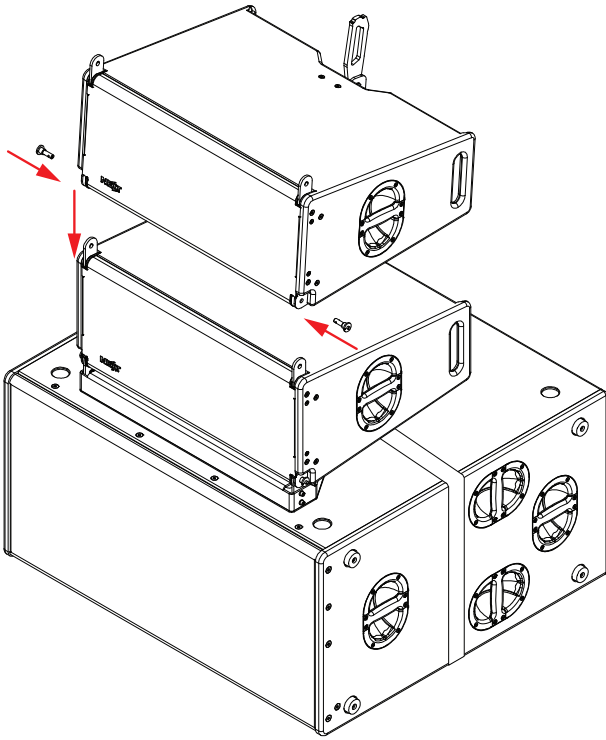


Step 6:
Insert the right hand pin into the angle required for your application. Allow the link to rest on pin and then lift the cabinet until the link clicks into position on the pin. The ground stack bracket has an angle range of -15° to $+5^{\circ}$ available in 5° increments.

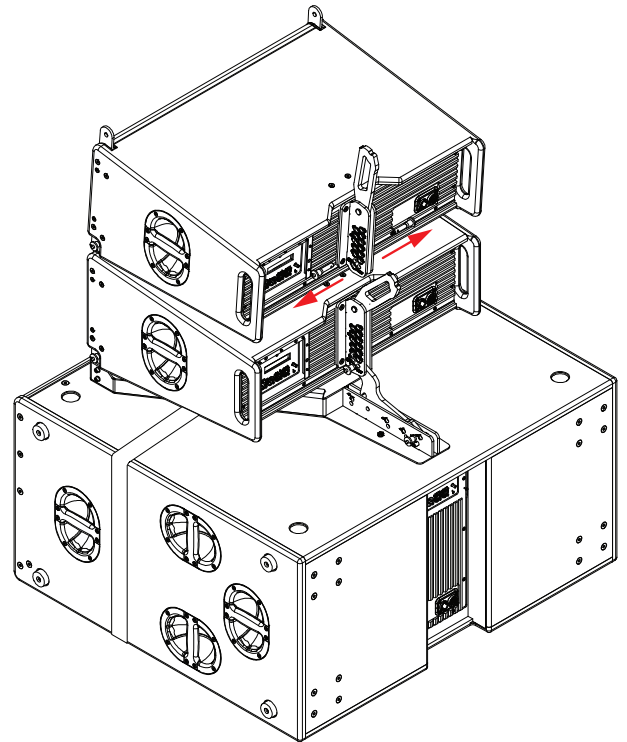


Step 6:
Insert the left hand pin into the ground stack bracket to lock the cabinet into position.

4 Mechanical Configurations

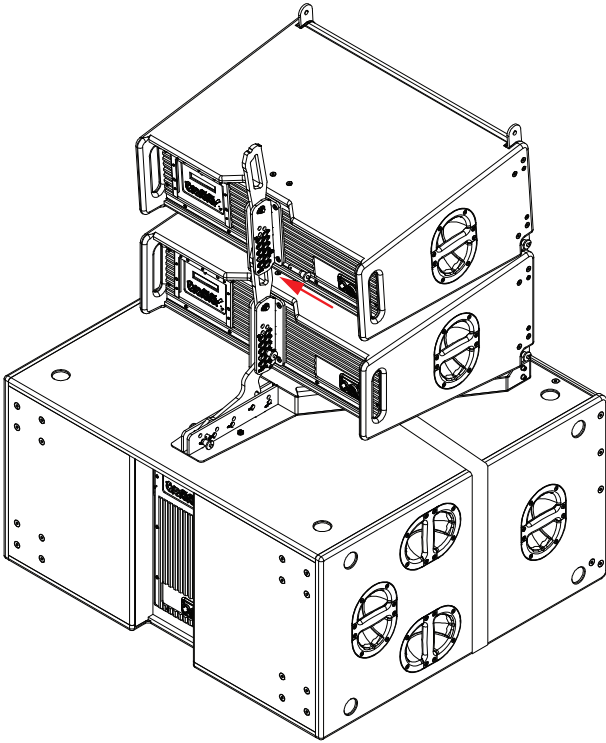


Step 7:
Remove the front two pins from the next cabinet and lower it into position. Fix the cabinet into position using the front pins.



Step 8:
Remove both pins from the rear rigging assembly of the cabinet and move the link from the lower cabinet up into position.

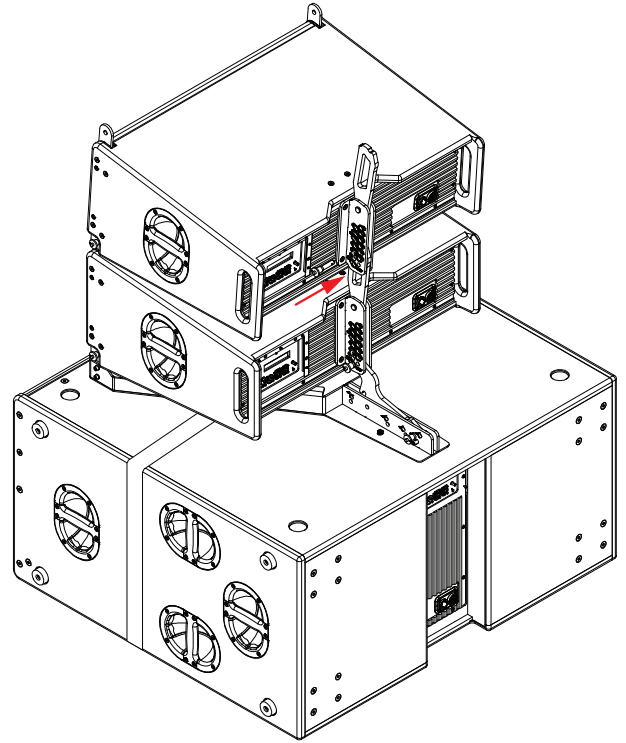
4 Mechanical Configurations



Step 9:
Insert the pin on the right hand of
the rear rigging assembly.



Note: The hole numbers
determine the splay
angle of the assembly.
To determine what angle
the cabinets should be
configured use EASE Focus.

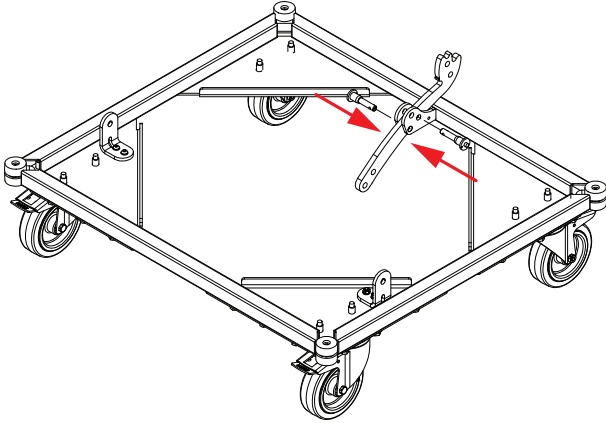


Step 10:
Insert the left hand pin in the same
hole number as the right hand side
to lock the cabinet in position.

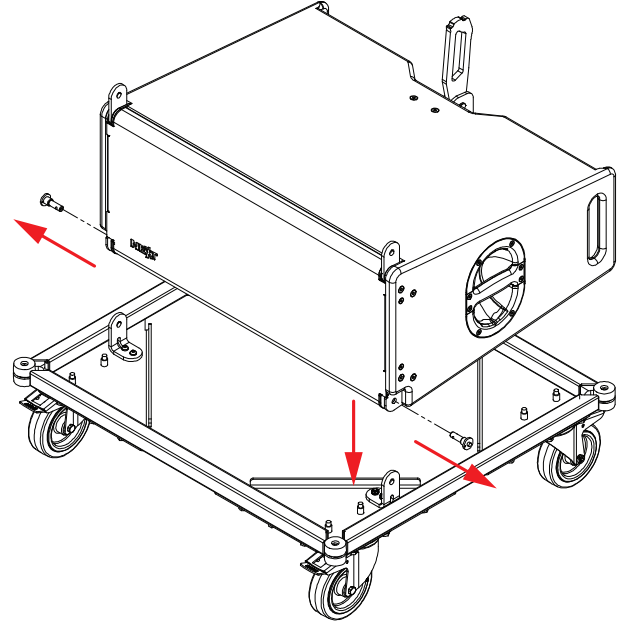
Repeat steps 7 to 9 for additional
cabinets as required.

4 Mechanical Configurations

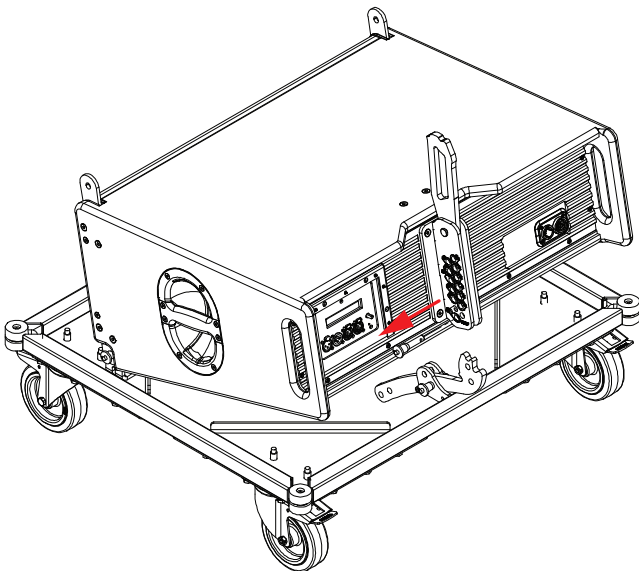
4.2.2 Dolly Ground Stack



Step 1:
Move the link on the dolly to the ground stack position as shown.

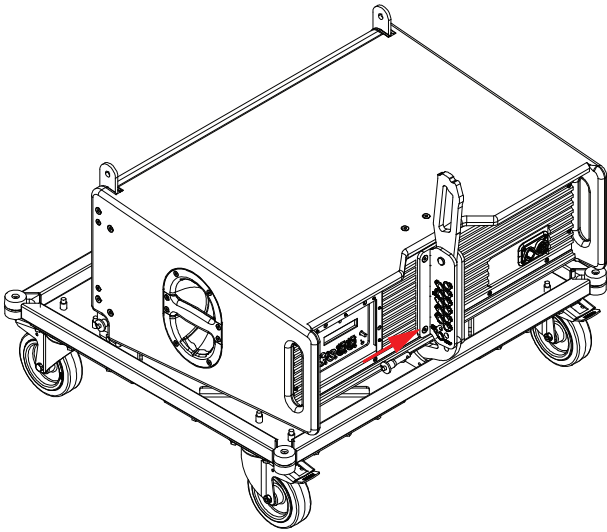


Step 2:
Lower the cabinet into position and fit to the dolly using the front pins.



Step 3:
With the right hand pin in hole number 2, marked ground stack dolly, remove the left hand pin and lower onto the rear link of the dolly.

4 Mechanical Configurations



Step 4:

Insert the left hand pin into the lowest hole on the rear rigging assembly, marked ground stack dolly, to fix the cabinet in place.

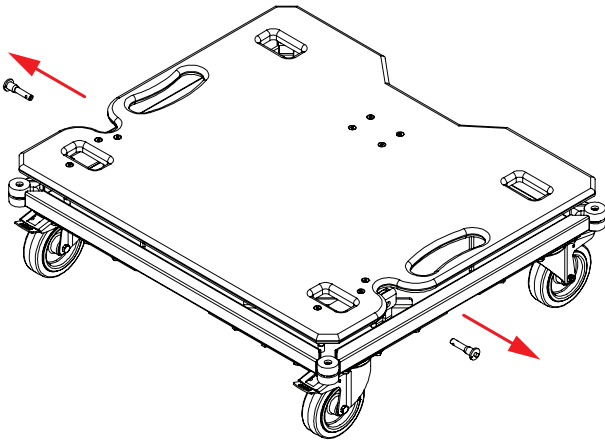
For additional cabinets follow steps 7 to 9 of the ground stack instructions (section 4.6).



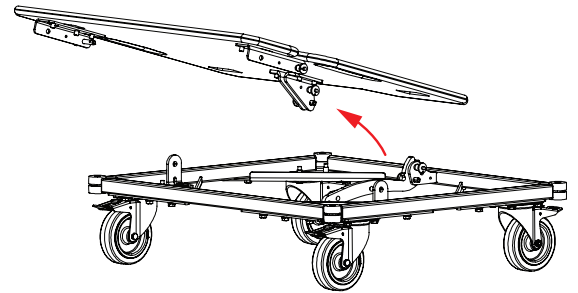
Note: Always use a safety strap when deployed in a ground stack configuration. Maximum number of cabinets to be stack on the dolly is four.

4 Mechanical Configurations

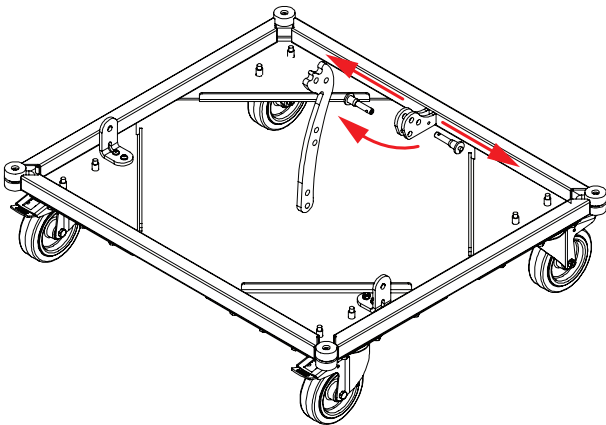
4.3.1 Transportation Dolly



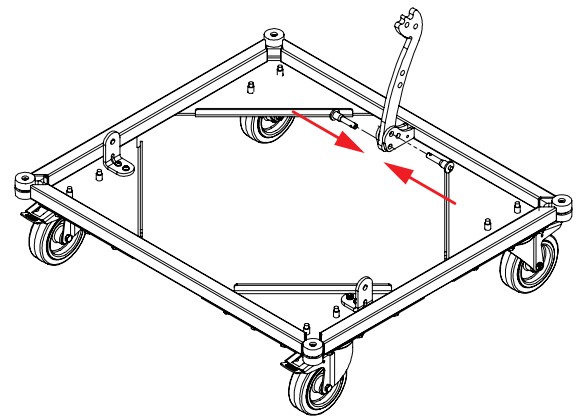
Step 1:
Remove both pins from the top of the dolly.



Step 2:
Remove the lid from the assembly.

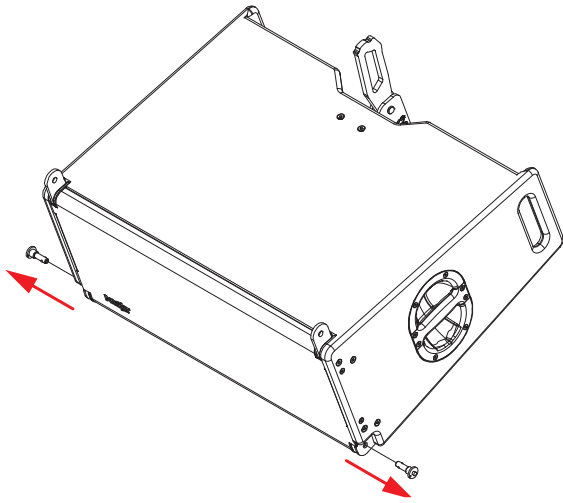


Step 3:
Remove both pins to release the link at the rear of the dolly.

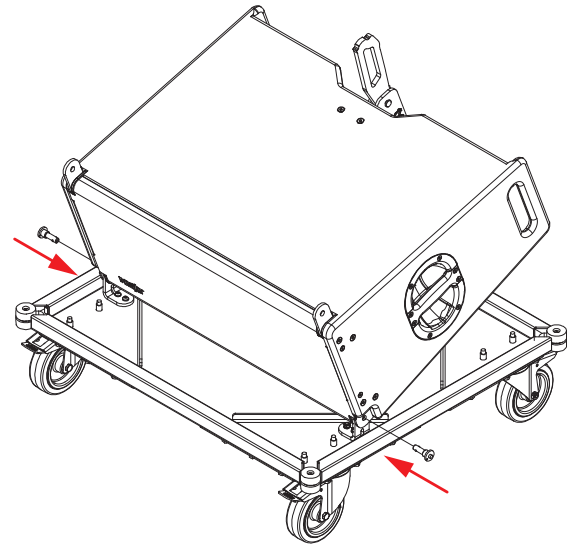


Step 4:
Attach the rear link as shown with the pins provided.

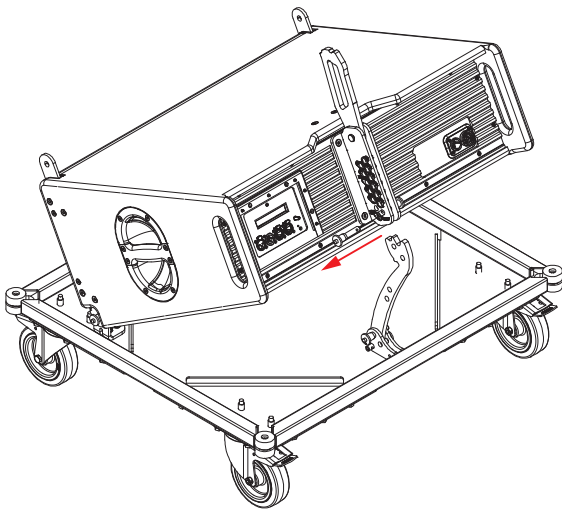
4 Mechanical Configurations



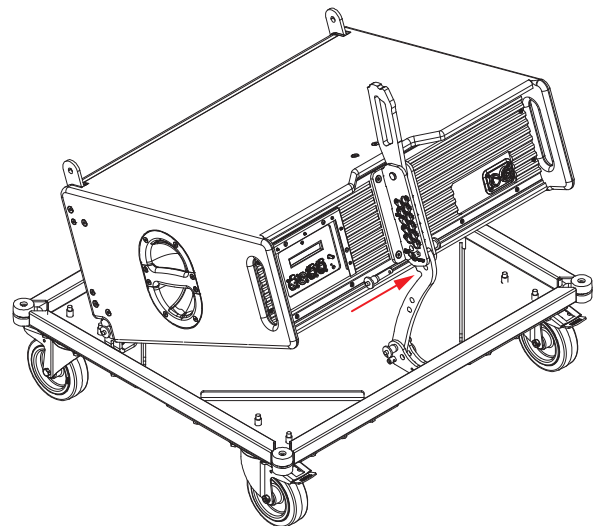
Step 5:
Remove the pins for the bottom of the front rigging assemblies of the first cabinet to be added to the dolly.



Step 6:
Lower the cabinet into position as shown and insert the pins to fix it to the dolly.

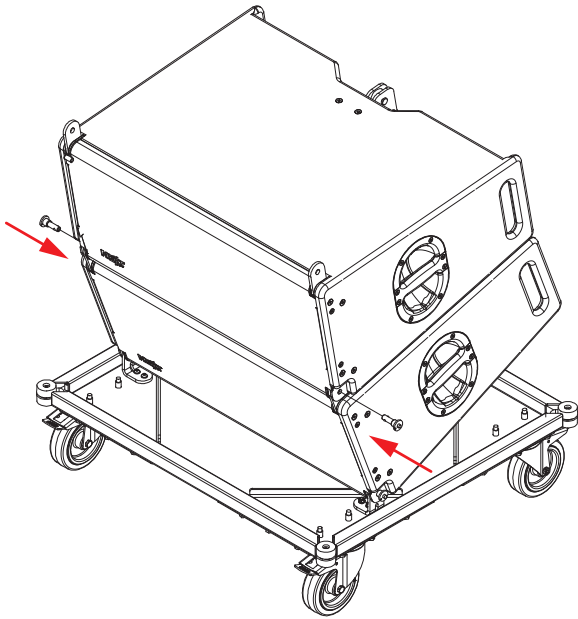


Step 7:
Remove the pin for the left hand side of the rear rigging assembly with the right hand pin in hole number 1 (labelled transport dolly pin).

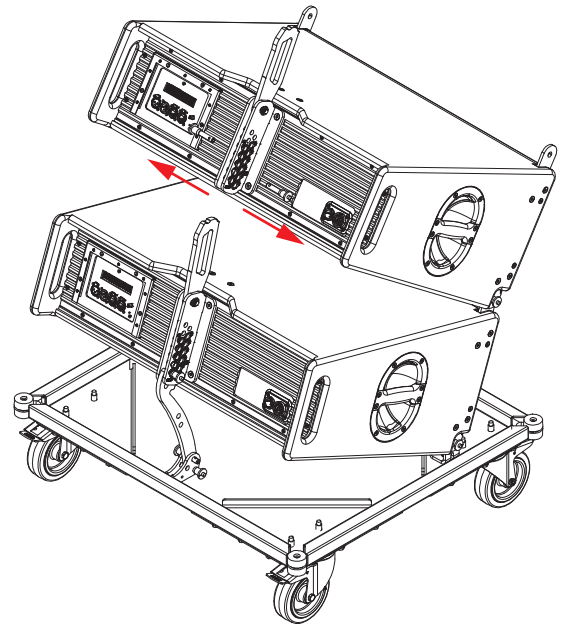


Step 8:
Lower the cabinet onto the rear link and insert the pin on the left hand side of the rear rigging assembly in the hole marked transport dolly pin.

4 Mechanical Configurations

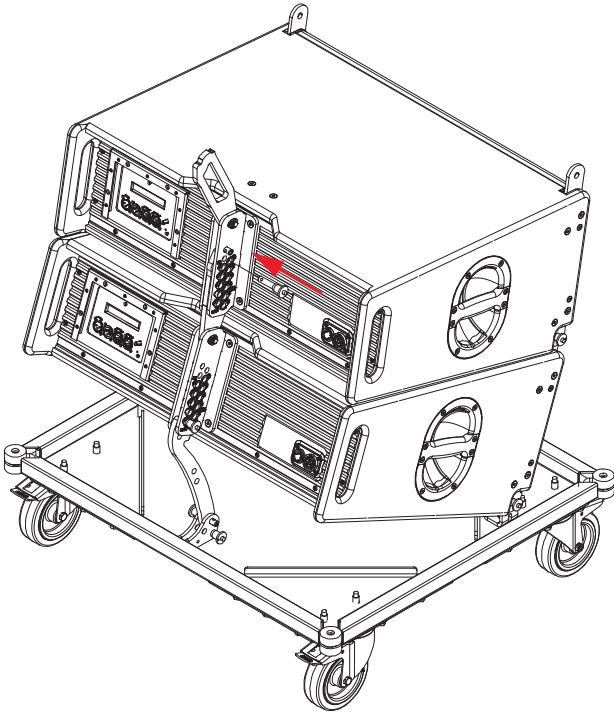


Step 9:
Move the next cabinet into position and fix into place with the pins on the front rigging assembly as shown.



Step 10:
Remove both pins for the rear rigging assembly.

4 Mechanical Configurations

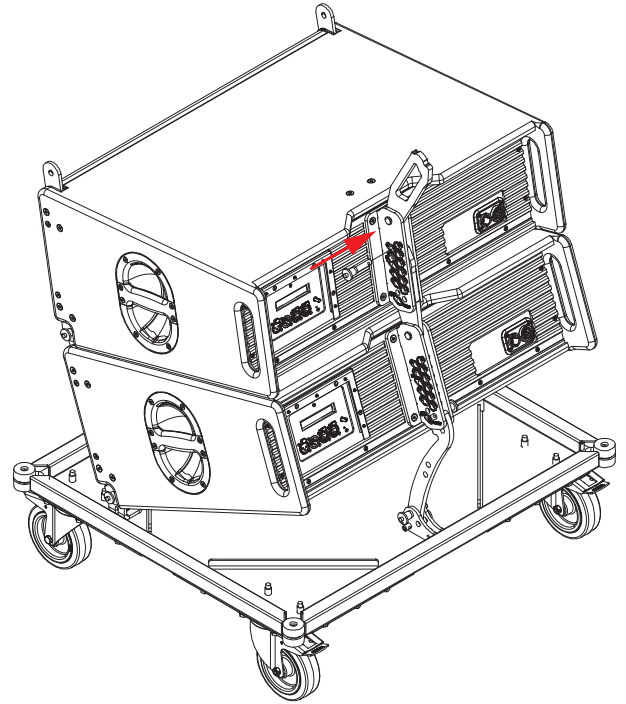


Step 11:

Insert the pin on the right hand side of the rear rigging assembly into hole number 10 and allow the cabinet to rest on the rear link.



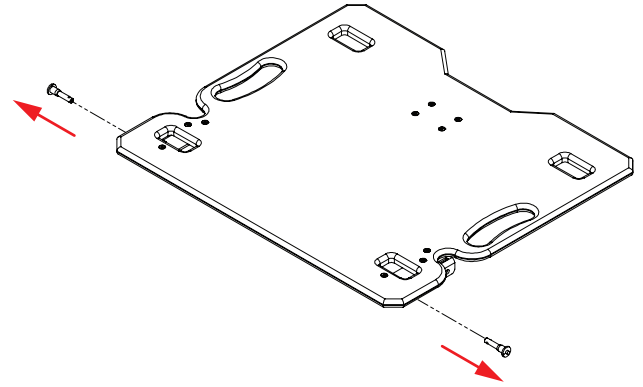
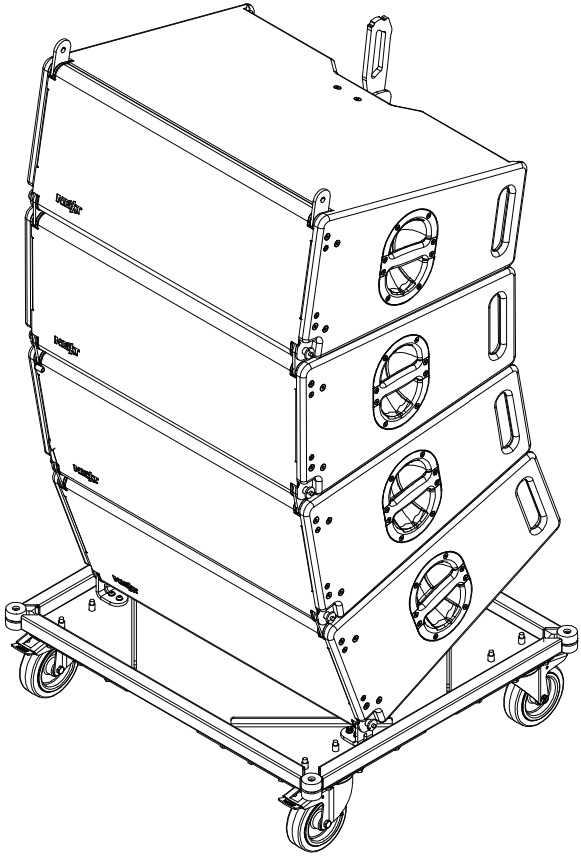
Note: All cabinets must be set to 10 degrees for transport.



Step 12:

Insert the pin on the left hand side of the rear rigging assembly into hole 10 to lock the cabinet in place.

4 Mechanical Configurations



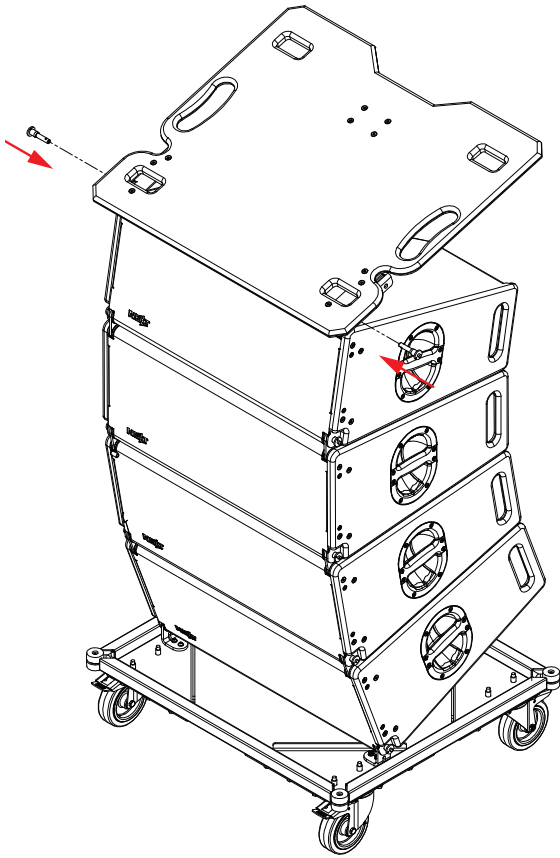
Step 13:
Add another two cabinets repeating steps 9 to 12. If using the NEXT Cover Heavy Duty apply it here, see section 5 for details.

Step 14:
Remove the front two pins from the top of the dolly assembly.

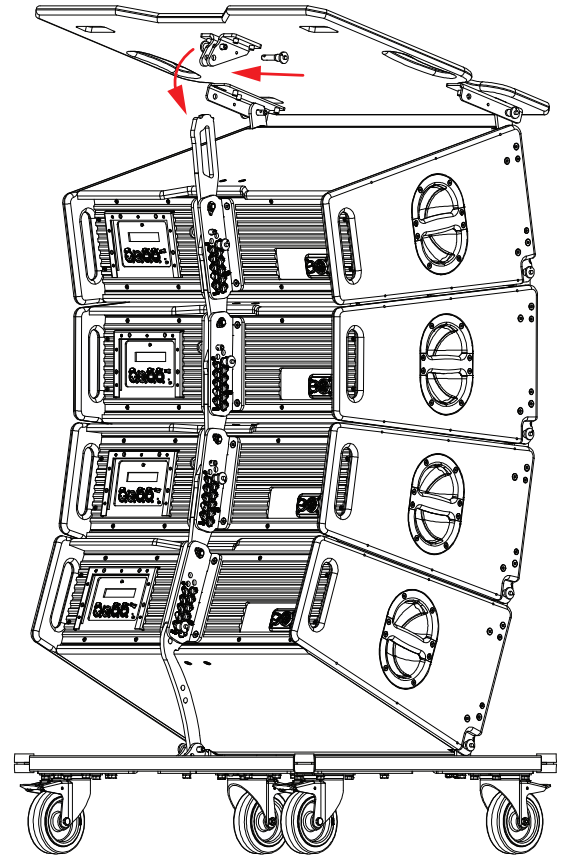


Note: Maximum of four cabinets to be placed on the transportation dolly.

4 Mechanical Configurations

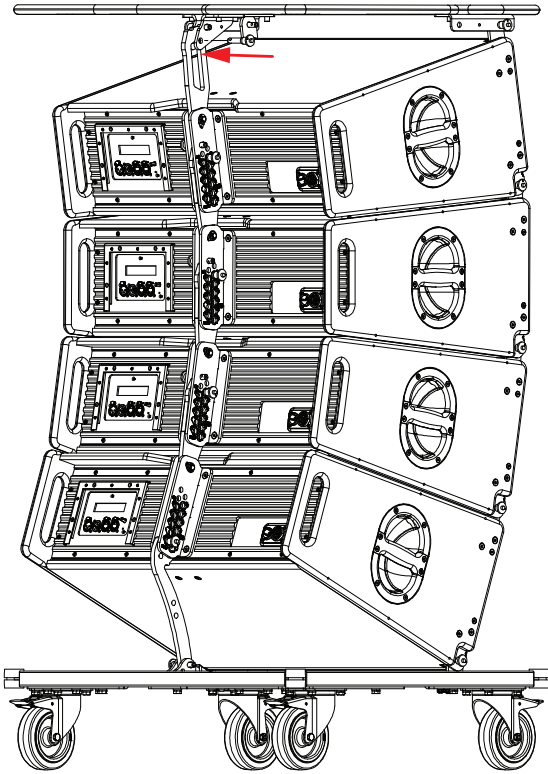


Step 15:
Lower the lid on to the top cabinet front rigging assemblies and insert the front pins.



Step 16:
Remove the pin from the rear link of the top of the dolly assembly and lower it into position on the rear link of the top cabinet.

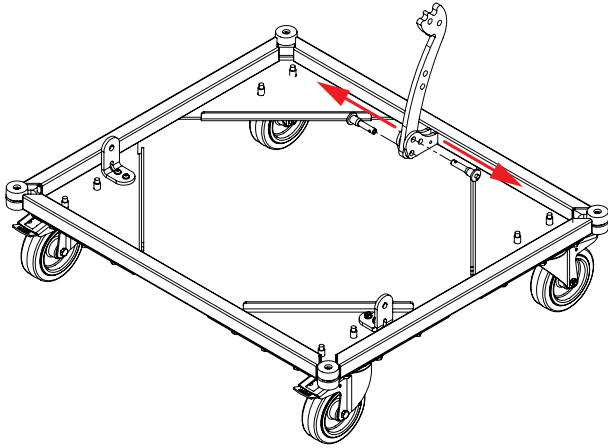
4 Mechanical Configurations



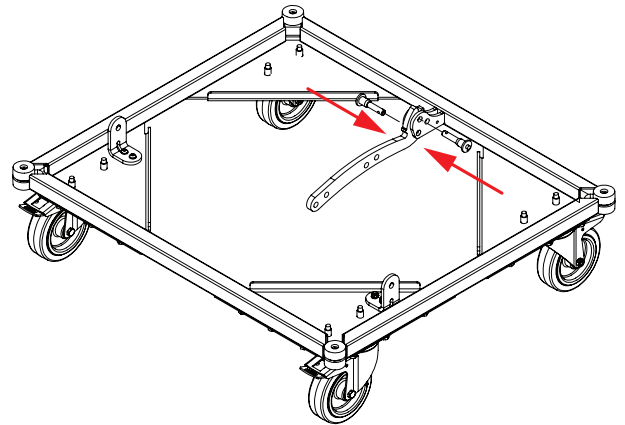
Step 17:
Insert the pin to lock the top into position.
The assembly is now ready for transport.

4 Mechanical Configurations

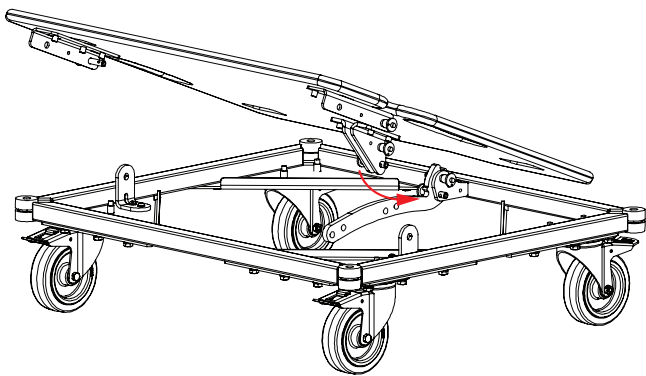
4.3.2 Transportation Dolly Storage



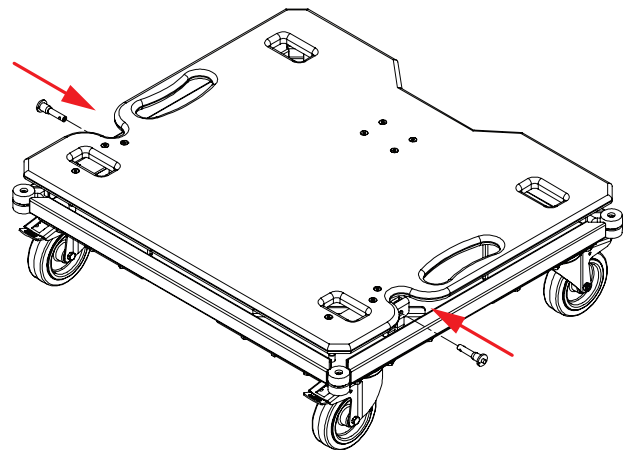
Step 1:
To prepare the dolly for storage
remove the pins from the link as
shown.



Step 2:
Move the link into the storage
position and insert both pins.

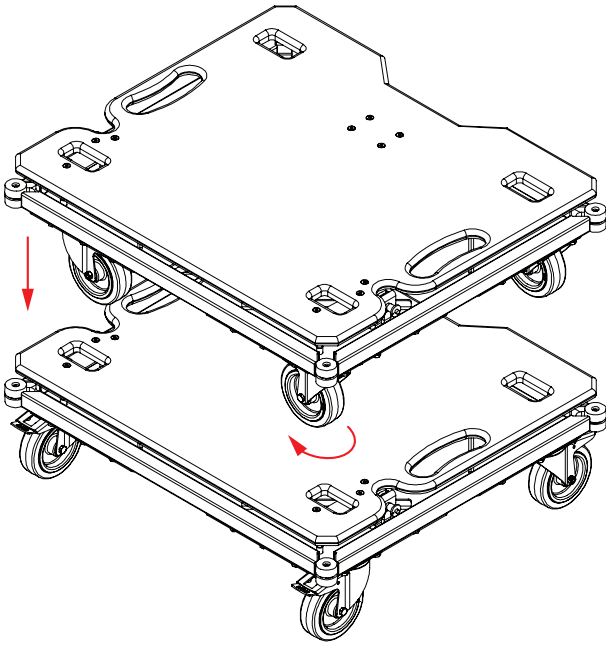


Step 3:
Move the lid into position on the groove
in the link as shown.

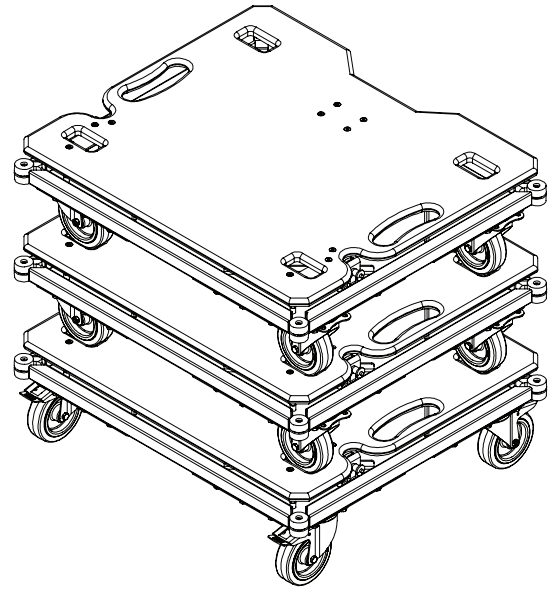


Step 4:
Insert both pins to lock the lid into
place.

4 Rigging Systems



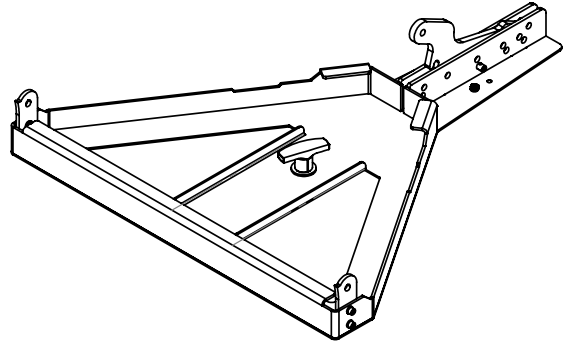
Step 5:
Rotate the wheels so that they are parallel to the longest edge of the dolly and lower into position.



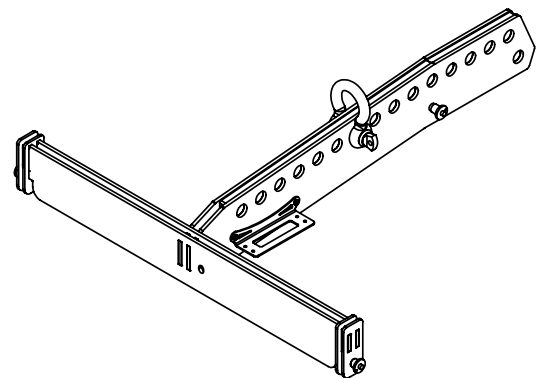
Step 6:
Add additional dolly boards as required and move to storage.

5 Accessories

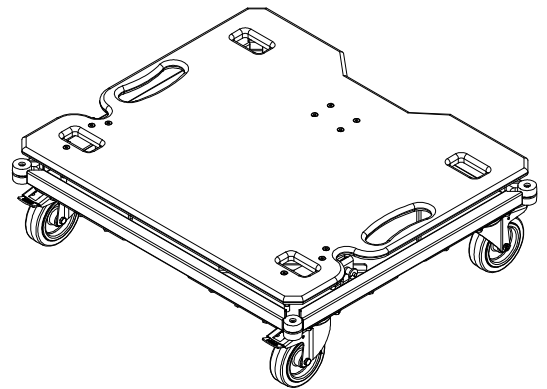
NEXT Ground Stack Adapter for LA210x
Part number: NC66209



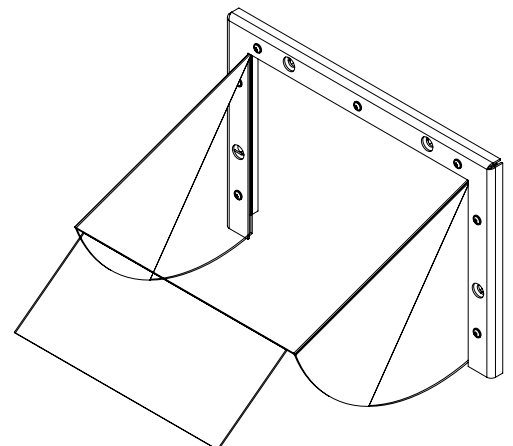
NEXT Flying Frame for LA210x
Part number: NC18209



NEXT Dolly for LA210x
Part number: NC75209

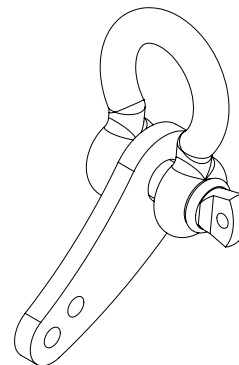


NEXT Individual Rain Cover for LA210x/LAs518A
Part number: TX12209

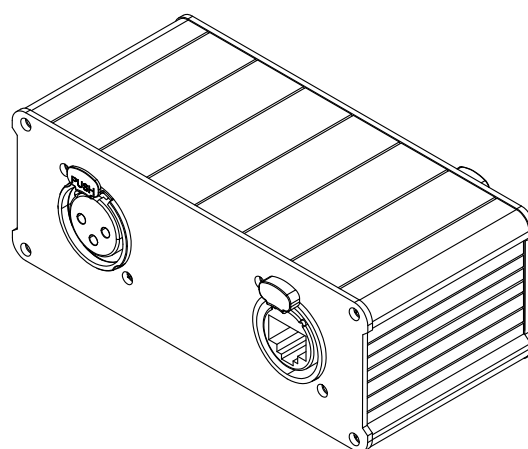


5 Accessories

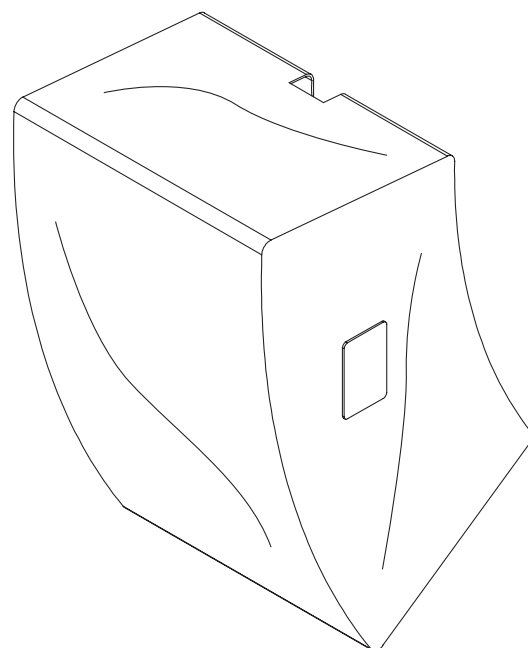
NEXT LA210x Pull Back
Part number: NC61209



NEXT AES Converter
Part number: EA00206



NEXT Cover Heavy Duty for 4 x LA210x
to use with Dolly
Part number: TX21206



 Rua da Venda Nova, 295 | 4435-469 Rio Tinto, Portugal

 info@nextaudiogroup.com

 www.nextaudiogroup.com

 www.instagram.com/next.audiogroup

 facebook.com/nextproaudio

